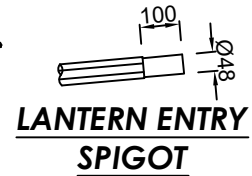
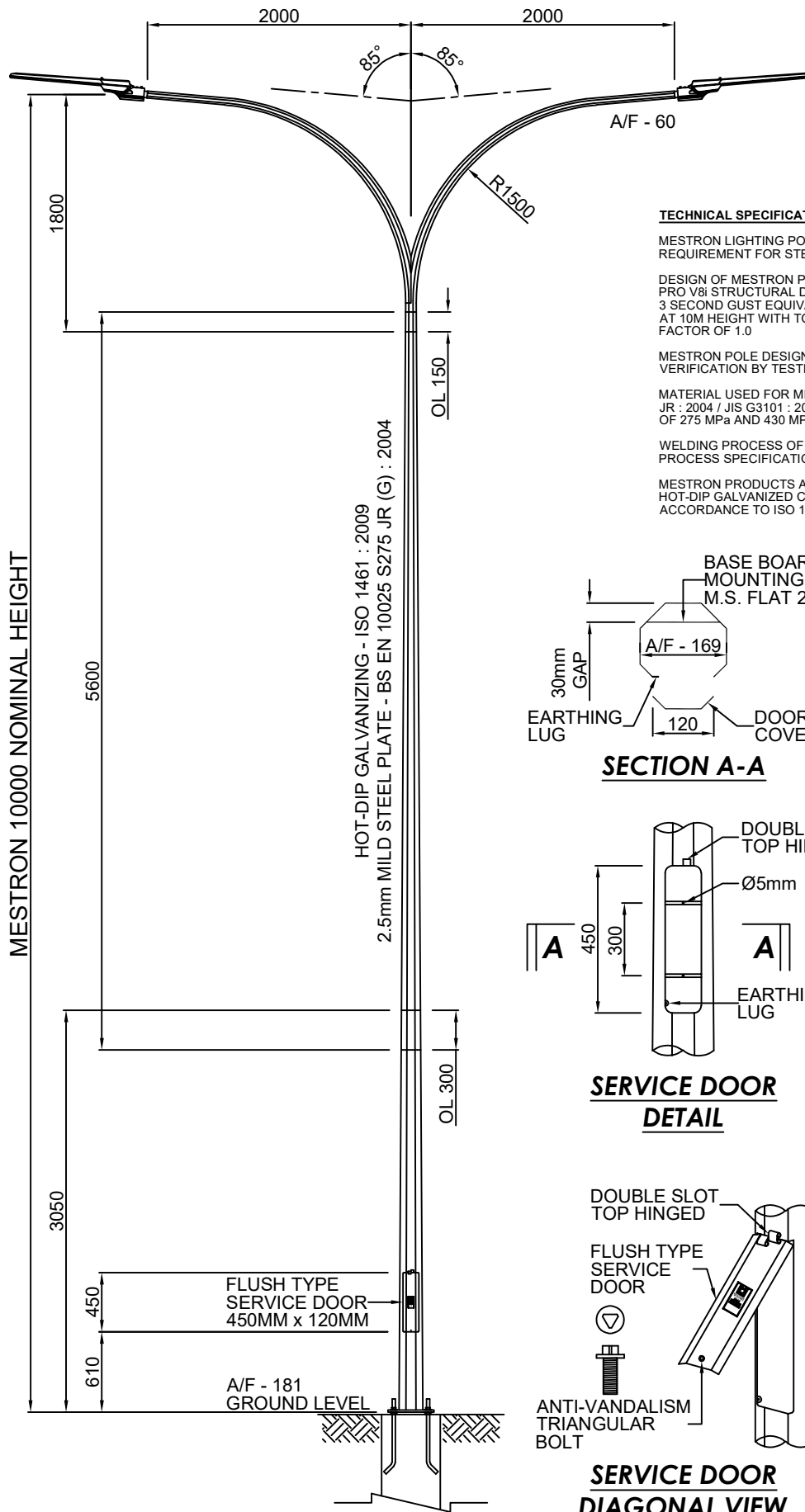


MESTRON 10000 NOMINAL HEIGHT



**TECHNICAL SPECIFICATION**

MESTRON LIGHTING POLE COMPLY TO BS EN 40-5 : 2002 "LIGHTNING COLUMNS, REQUIREMENT FOR STEEL LIGHTING COLUMNS"

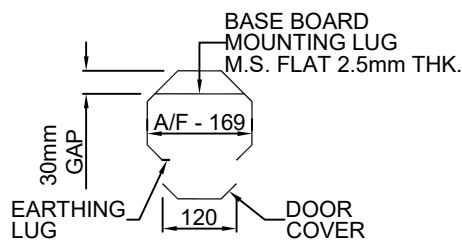
DESIGN OF MESTRON POLE ARE COMPREHENSIVELY ANALYSED USING STAAD. PRO V8I STRUCTURAL DESIGN SOFTWARE TO WITHSTAND 35 M/S WIND-SPEED AT 3 SECOND GUST EQUIVALENT TO 20.6 M/S OF 10 MINUTES MEAN WIND VELOCITY AT 10M HEIGHT WITH TOPOGRAPHY, TERRAIN ROUGHNESS AND STATISTICAL FACTOR OF 1.0

MESTRON POLE DESIGN VALIDATED BY TYPE TEST "DESIGN AND VARIFICATION, VERIFICATION BY TESTING" IN ACCORDANCE TO BS EN 40-3-2 : 2013

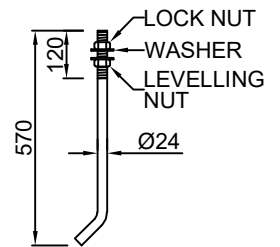
MATERIAL USED FOR MESTRON LIGHTING POLE COMPLY TO BS EN 10025 S275 JR : 2004 / JIS G3101 : 2010 SS400 WITH MINIMUM YIELD AND TENSILE STRENGTH OF 275 MPa AND 430 MPa RESPECTIVELY

WELDING PROCESS OF MESTRON LIGHTING POLE IN COMPLIANCE TO WELDING PROCESS SPECIFICATION AS PER BS EN 1011-2 : 2001

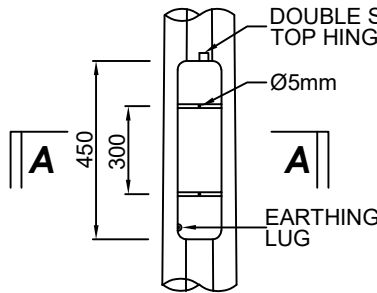
MESTRON PRODUCTS ARE PROTECTED WITH ANTI-CORROSIVE TREATMENT WITH HOT-DIP GALVANIZED COATINGS ON FABRICATED IRON AND STEEL ARTICLES IN ACCORDANCE TO ISO 1461 : 2009



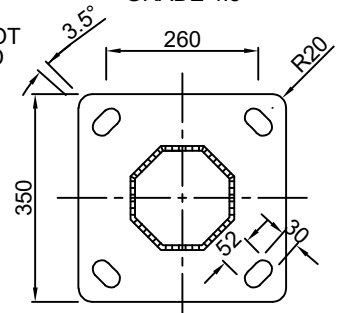
**SECTION A-A**



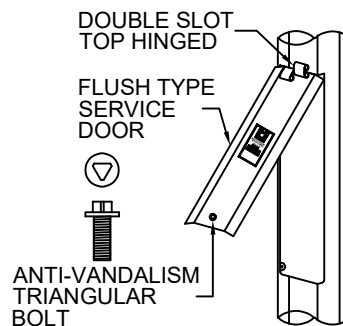
**J-BOLT**  
GRADE 4.8



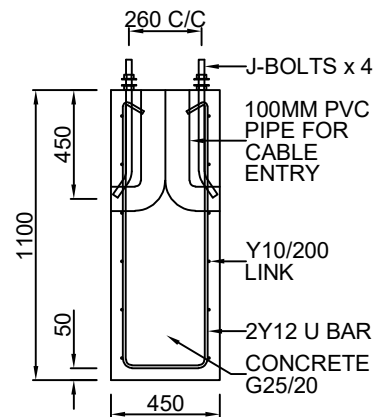
**SERVICE DOOR**  
**DETAIL**



**FLANGE PLATE**  
16mm THK



**SERVICE DOOR**  
**DIAGONAL VIEW**



**FOOTING DETAIL**

WEIGHT (KGS) : 114 KGS



**MESTRON ENGINEERING SDN BHD** (591970-X)  
 TEL: 603-8069 1815 FAX: 603-8069 1805  
 E-MAIL : info@mestron.com.my  
 WEB : www.mestron.com.my

DATE	R	DESCRIPTION

**DRAWING APPROVAL**

SIGN : .....  
 NAME : .....  
 DATE : .....

**JO :**

10M OCTAGONAL LIGHTING POLE  
 FLANGE MOUNTED TYPE  
 2.0M DOUBLE ARM

THIS DRAWING IS THE PROPERTY OF  
 MESTRON ENGINEERING SDN. BHD.  
 AND MUST NOT BE REPRODUCED OR  
 MISUSED WITHOUT THEIR PRIOR  
 CONSENT IN WRITING.

DRAWN BY : HAFIZ	DRAWING NO : 10M-FM-2.0M-DA
CHECKED BY : NEO	DATE OF ISSUE : 01-06-2019 SCALE : NTS