

SOLAR LIGHTING COLUMN

Solar Lighting Column is designed to cater for additional loading of Photovoltaik (PV) panel or a LED SOLAR Integrated Lighting on top.

The power generated by PV then be used for lighting, communication, transmission, charging and other purpose. Thus, it provides a self-sufficient solution for remote areas.

OPTION AND ACCESSORIES

- Height from 4M - 12M
- Double Arm Spigot
- Frame Support for Solar Panel
- Bracket for Junction / Battery Box
- Detachable Climbing Rung
- Polyester Powder Coating

STANDARD LIGHTING POLE

by Mestron®

TECHNICAL SPECIFICATION

1

LIGHTING POLE COMPLY TO **BS EN 40-5 : 2002** "LIGHTING COLUMNS, REQUIREMENT FOR STEEL LIGHTING COLUMNS"

2

DESIGN OF POLE ARE COMPREHENSIVELY ANALYSED USING STAAD. PRO V8i STRUCTURAL DESIGN SOFTWARE TO WITHSTAND **35 M/S** WIND-SPEED, TERRAIN ROUGHNESS AND STATISTICAL FACTOR OF **1.0**

3

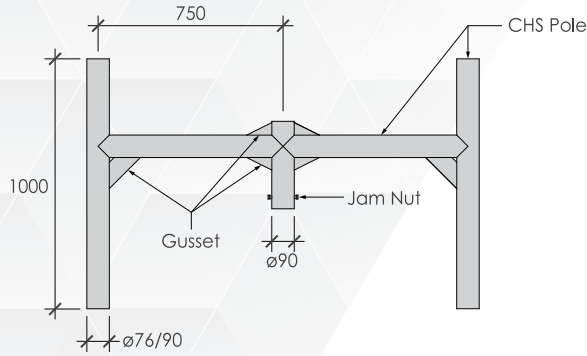
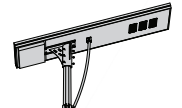
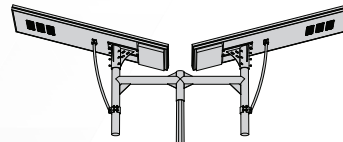
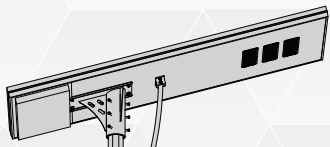
MATERIAL USED FOR LIGHTING POLE COMPLY TO **BS EN 10025 S275 JR : 2004 / JIS G3101 : 2010 / SS400** WITH MINIMUM YIELD AND TENSILE STRENGTH OF **275 MPa** AND **430 MPa** RESPECTIVELY

4

WELDING PROCESS OF LIGHTING POLE IN COMPLIANCE TO WELDING PROCESS SPECIFICATION AS PER **BS EN 1011-2 : 2001**

5

PRODUCTS ARE TREATED WITH ANTI-CORROSIVE TREATMENT KNOWN AS HOT-DIP GALVANIZED COATINGS ON FABRICATED IRON AND STEEL ARTICLES IN ACCORDANCE TO **BS EN ISO 1461 : 2009**

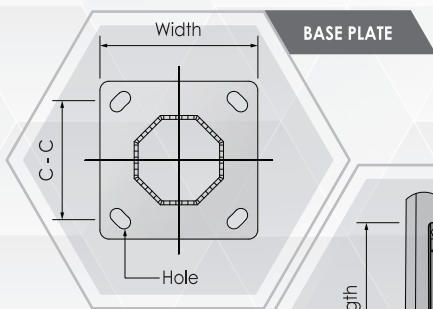


SPIGOT ARM FOR DOUBLE SOLAR LANTERN

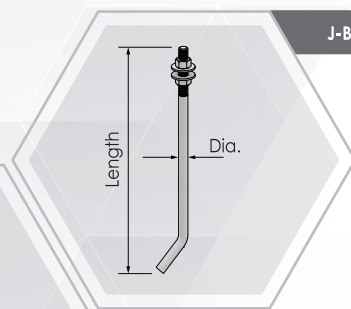
DOUBLE SOLAR LANTERN

SINGLE SOLAR LANTERN

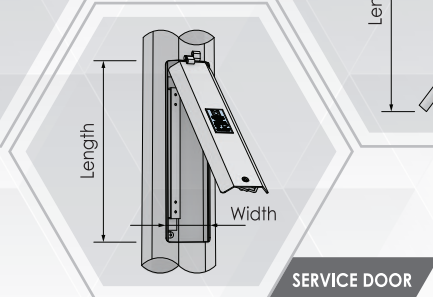
FLANGE MOUNTED TYPE



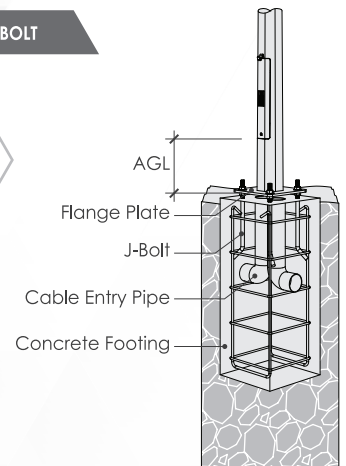
BASE PLATE



J-BOLT



SERVICE DOOR



ACROSS FLAT, A/F			BASE FLANGE PLATE				SERVICE DOOR			J-BOLT		CONCRETE FOOTING		
Pole(M)	A/F-T	A/F-B	Width	C - C	Hole	THK	AGL	Width	Length	Dia.	Length	Width	Height	C - C
4	83	133	250	195	37 x 20	9	305	100	350	16	280	300	800	195
6	83	157	300	220	45 x 26	12	305	110	450	20	450	400	1000	220
8	83	174	300	220	45 x 26	12	305	110	450	20	450	400	1300	220
9	83	186	300	220	45 x 26	15	610	110	450	20	450	400	1300	220
10	83	200	350	260	52 x 30	16	610	120	450	24	570	450	1300	260
12	83	227	400	300	56 x 30	18	610	140	450	24	570	500	1500	300

*All Dimension are in Millimeter (MM) unless stated
 ** All data shown are based on max. loading weight >80kgs
 *** Service door must be requested