

TECHNICAL SPECIFICATION

1. LIGHTING POLE COMPLY TO **(AASHTO: 2013)** THE AMERICAN ASSOCIATION OF STATE HIGHWAY AND TRANSPORTATION OFFICIALS DULY CERTIFIED BY (SIRIM) STANDARD AND INDUSTRIAL RESEARCH INSTITUTE OF MALAYSIA
2. DESIGN OF POLE ARE COMPREHENSIVELY ANALYSED USING STAAD. PRO V8i STRUCTURAL DESIGN ANALYSED SOFTWARE TO WITHSTAND **35 M/S** WIND-SPEED TERRAIN ROUGHNESS AND STATISTICAL FACTOR OF **1.0**
3. MATERIAL USED FOR LIGHTING POLE COMPLY TO **BS EN 10025 S275 JR : 2004 / JIS G3101 : 2010 / SS400** WITH MINIMUM YIELD AND TENSILE STRENGTH OF **275 MPa** AND **430 MPa** RESPECTIVELY
4. WELDING PROCESS OF LIGHTING POLE IN COMPLIANCE TO WELDING PROCESS SPECIFICATION AS PER **BS EN 1011-2 : 2001**
5. PRODUCTS ARE PROTECTED WITH ANTI-CORROSIVE TREATMENT WITH HOT-DIP GALVANIZED COATINGS ON FABRICATED IRON AND STEEL ARTICLES IN ACCORDANCE TO **BS EN ISO 1461 : 2009**

STANDARD LIGHTING POLE

by Mestron®

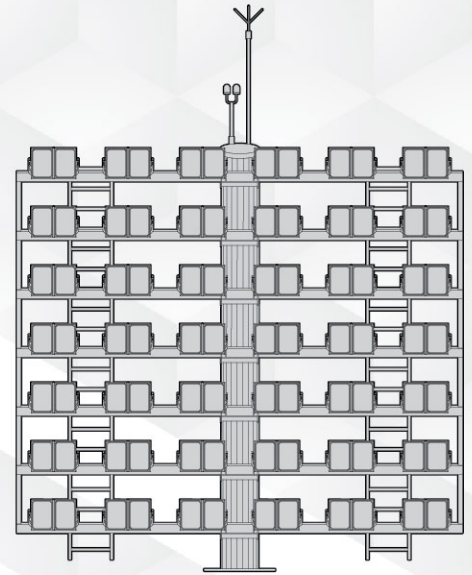
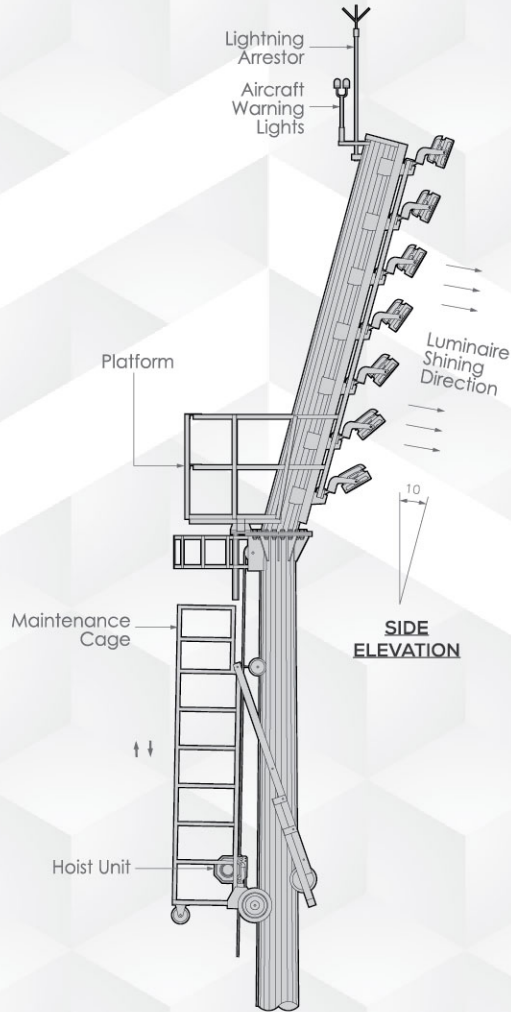
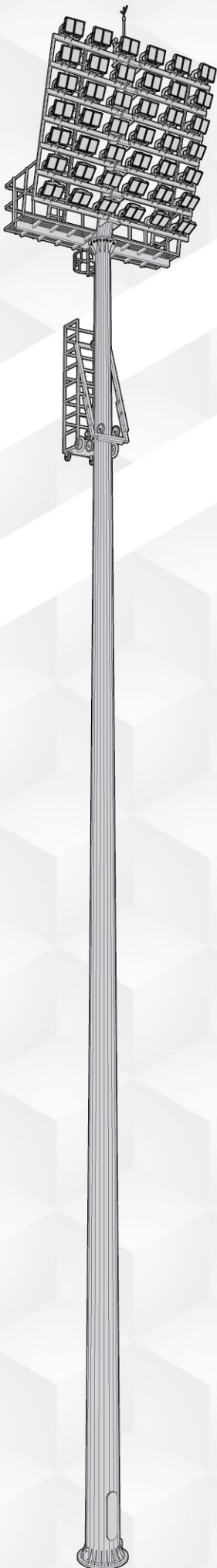
STADIUM MAST

Stadium Mast specialize in high concentration lighting to lights up large area efficiently at specific direction typically for sports arena.

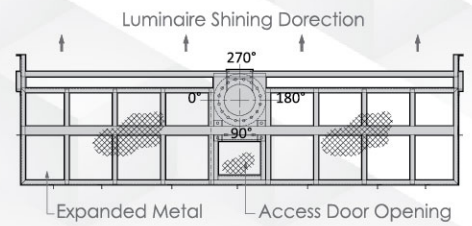
Maintenance Hoisting Lift provide lifting from ground to platform level for periodic maintenance.

OPTION AND ACCESSORIES

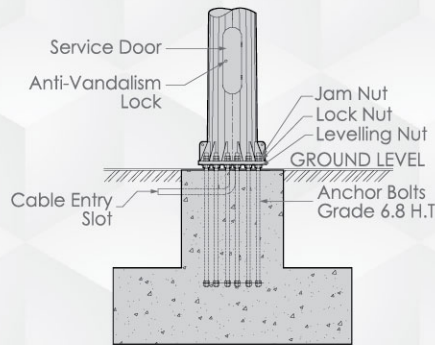
- 15M to 45M height
- Lifting capacity 200 kgs (2 workers and equipment)
- Option for climbing ladder
- Head-Frame to suit all types of fitting
- Brackets for additional attachment



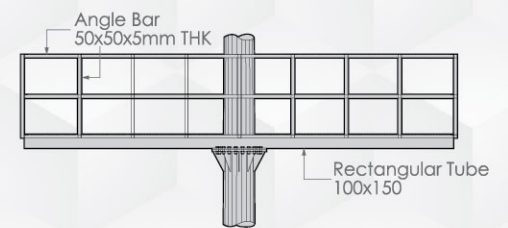
HEAD FRAME FRONT VIEW



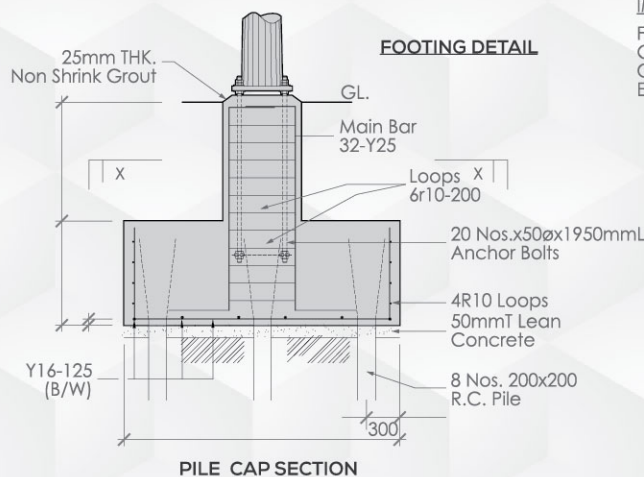
PLATFORM PLAN



FOOTING DETAIL



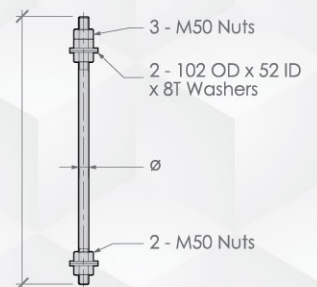
PLATFORM ELEVATION



PILE CAP SECTION

IMPORTANT NOTICE :

FOOTING DETAIL ARE PROVIDED AS A GENERAL GUIDE ONLY. IT IS A RESPONSIBILITY OF THE CONTRACTOR TO SEEK PROFESSIONAL ENGINEER'S VERIFICATION AND ADVISE



ANCHOR BOLT GR.6.8