

**TECHNICAL SPECIFICATION**

MESTRON LIGHTING POLE COMPLY TO BS EN 40-5 : 2002 "LIGHTNING COLUMNS, REQUIREMENT FOR STEEL LIGHTING COLUMNS"

DESIGN OF MESTRON POLE ARE COMPREHENSIVELY ANALYSED USING STAAD. PRO V8I STRUCTURAL DESIGN SOFTWARE TO WITHSTAND 35 M/S WIND-SPEED AT 3 SECOND GUST EQUIVALENT TO 20.6 M/S OF 10 MINUTES MEAN WIND VELOCITY AT 10M HEIGHT WITH TOPOGRAPHY, TERRAIN ROUGHNESS AND STATISTICAL FACTOR OF 1.0

MESTRON POLE DESIGN VALIDATED BY TYPE TEST "DESIGN AND VARIATION, VERIFICATION BY TESTING" IN ACCORDANCE TO BS EN 40-3-2 : 2013

MATERIAL USED FOR MESTRON LIGHTING POLE COMPLY TO BS EN 10025 S275 JR : 2004 / JIS G3101 : 2010 SS400 WITH MINIMUM YIELD AND TENSILE STRENGTH OF 275 MPa AND 430 MPa RESPECTIVELY

WELDING PROCESS OF MESTRON LIGHTING POLE IN COMPLIANCE TO WELDING PROCESS SPECIFICATION AS PER BS EN 1011-2 : 2001

MESTRON PRODUCTS ARE PROTECTED WITH ANTI-CORROSIVE TREATMENT WITH HOT-DIP GALVANIZED COATINGS ON FABRICATED IRON AND STEEL ARTICLES IN ACCORDANCE TO ISO 1461 : 2009

MESTRON 8000 NOMINAL HEIGHT

PLANTING DEPTH

7200

A/F - 60

HOT-DIP GALVANIZING - ISO 1461 : 2009  
2.5mm MILD STEEL PLATE - BS EN 10025 S275 JR (G) : 2004

OL 300

FLUSH TYPE SERVICE DOOR 450MM x 110MM

A/F - 157 GROUND LEVEL

500

305

450

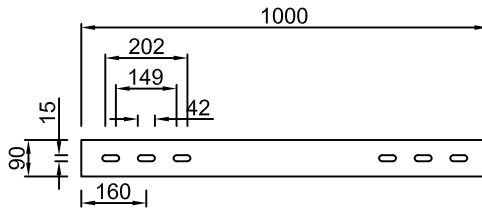
2450

500

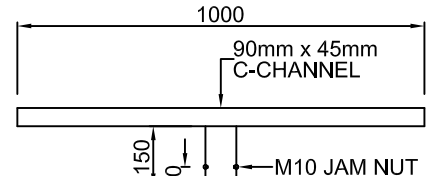
A/F - 174

BASE PLATE c/w HOOK BOLT

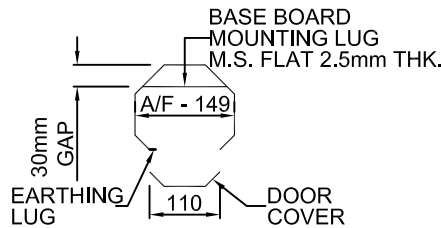
CABLE ENTRY SLOT 60W x 150H



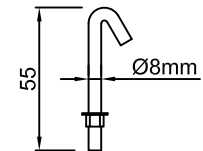
**PLAN VIEW  
HEAD FRAME - 2**



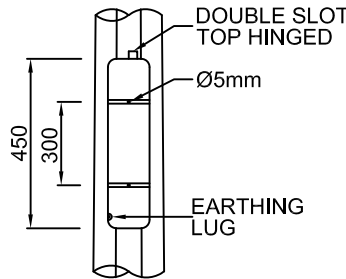
**FRONT VIEW  
HEAD FRAME - 2**



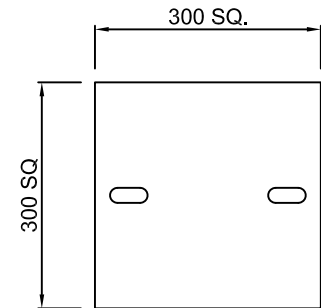
**SECTION A-A**



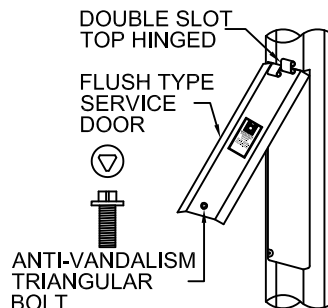
**HOOK BOLT**



**SERVICE DOOR  
DETAIL**



**BASE PLATE  
2.5mm THK**



**SERVICE DOOR  
DIAGONAL VIEW**

WEIGHT (KGS) : 71 KGS



**MESTRON ENGINEERING SDN BHD** (591970-X)  
TEL: 603-8069 1815 FAX: 603-8069 1805  
E-MAIL : info@mestron.com.my  
WEB : www.mestron.com.my

DATE	R	DESCRIPTION

**DRAWING APPROVAL**  
SIGN : .....  
NAME : .....  
DATE : .....

8M OCTAGONAL LIGHTING POLE  
PLANTED TYPE  
HEAD FRAME - 2

THIS DRAWING IS THE PROPERTY OF  
MESTRON ENGINEERING SDN. BHD.  
AND MUST NOT BE REPRODUCED OR  
MISUSED WITHOUT THEIR PRIOR  
CONSENT IN WRITING.

DRAWN BY : HAFIZ	DRAWING NO : 8M-PT-HF2
CHECKED BY : NEO	DATE OF ISSUE : 01-06-2019
	SCALE : NTS

JO :