

TECHNICAL SPECIFICATION

1. LIGHTING POLE COMPLY TO **BS EN 40-5 : 2002** "LIGHTING COLUMNS, REQUIREMENT FOR STEEL LIGHTING COLUMNS"
2. DESIGN OF POLE ARE COMPREHENSIVELY ANALYSED USING STAAD. PRO V8i STRUCTURAL DESIGN SOFTWARE TO WITHSTAND **35 M/S** WIND-SPEED, TERRAIN ROUGHNESS AND STATISTICAL FACTOR OF **1.0**
3. POLE DESIGN VALIDATED WITH TYPE TEST "DESIGN AND VERIFICATION", TESTING IN ACCORDANCE TO **BS EN 40-3-2 : 2013**
4. MATERIAL USED FOR LIGHTING POLE COMPLY TO **BS EN 10025 S275 JR : 2004 / JIS G3101 : 2010 / SS400** WITH MINIMUM YIELD AND TENSILE STRENGTH OF **275 MPa** AND **430 MPa** RESPECTIVELY
5. WELDING PROCESS OF LIGHTING POLE IN COMPLIANCE TO WELDING PROCESS SPECIFICATION AS PER **BS EN 1011-2 : 2001**
6. PRODUCTS ARE TREATED WITH ANTI-CORROSIVE TREATMENT KNOWN AS HOT-DIP GALVANIZED COATINGS ON FABRICATED IRON AND STEEL ARTICLES IN ACCORDANCE TO **BS EN ISO 1461 : 2009**

STANDARD LIGHTING POLE

by Mestron®

CCTV POLE

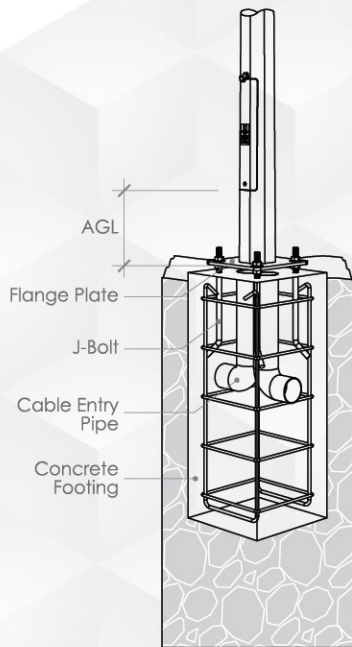
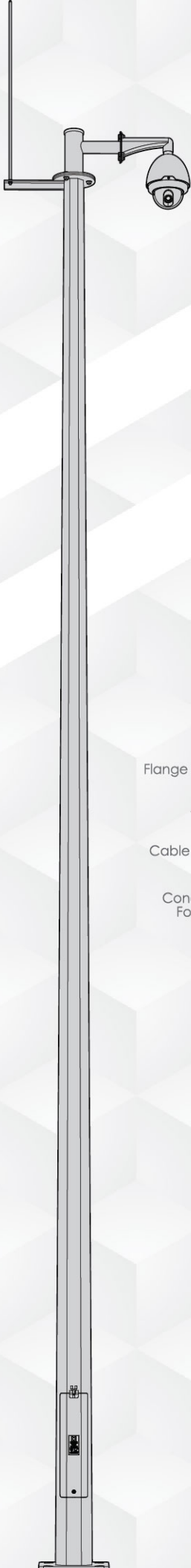
Pole specially designed for CCTV surveillance & security monitoring application.

Special consideration is given to minimize deflection and vibration. Several option is available such as standard fixed type, climbing rung & mid-hinged collapsible.

OPTION AND ACCESSORIES

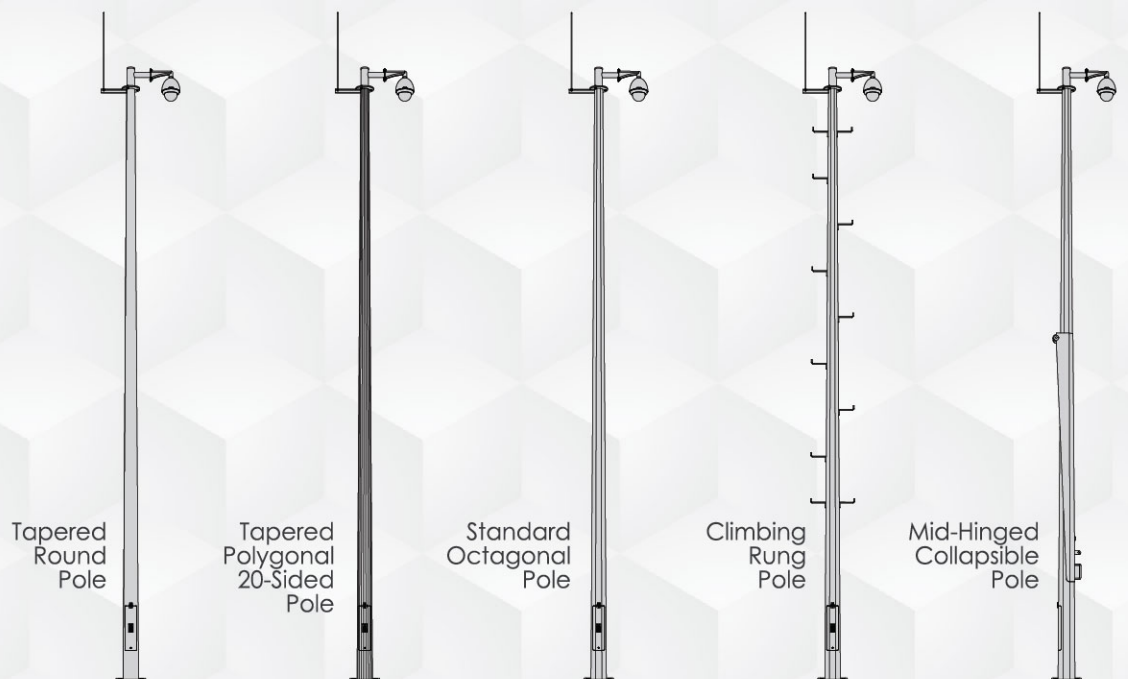
- Height up to 20M
- Customize bracket to suit Camera
- Polyester Powder Coating Finish
- Fiberglass Service Door
- Anti-Climb Device

FLANGE MOUNTED



ACROSS FLAT, A/F				BASE FLANGE PLATE			
Pole(M)	A/F-T	A/F-B	Def	Width	C - C	Hole	THK
4	83	133	0.5	250	195	37 x 20	9
6	83	157	0.5	300	220	45 x 26	12
8	83	174	0.5	300	220	45 x 26	12
9	83	186	0.5	300	220	45 x 26	15
10	83	200	0.5	350	260	52 x 30	16
12	83	227	1.0	400	300	56 x 30	18
15	83	258	1.0	400	300	73 x 39	18
18	83	296	1.0	550	400	73 x 39	18
20	83	320	1.0	550	400	73 x 39	25
~	~	~	~	~	~	~	~
12	100	249	0.5	400	300	56 x 30	18
15	120	346	0.5	550	400	73 x 39	18
18	120	393	0.5	ø600	ø500	ø38	25
20	120	426	0.5	ø750	ø600	ø38	25
SERVICE DOOR			J-BOLT		CONCRETE FOOTING		
Pole(M)	AGL	Width	Dia.	Length	Width	Height	C - C
4	305	90	16	280	300	800	195
6	305	100	20	450	350	900	220
8	305	110	20	450	400	1000	220
9	610	120	20	450	400	1000	220
10	610	120	24	570	450	1100	260
12	610	120	24	570	500	1200	300
15	610	160	33	840	600	1400	300
18	610	180	33	840	800(1800)	1500(800)	400
20	610	200	33	840	1000(2000)	1500(800)	400
~	~	~	~	~	~	~	~
12	610	140	24	570	500	1200	300
15	610	160	33	840	600	1400	400
18	610	180	33	840	800(1800)	1500(800)	ø500
20	610	200	33	840	1000(2000)	1500(800)	ø600

*All Dimension are in Millimeter (MM) unless stated



Tapered Round Pole

Tapered Polygonal 20-Sided Pole

Standard Octagonal Pole

Climbing Rung Pole

Mid-Hinged Collapsible Pole