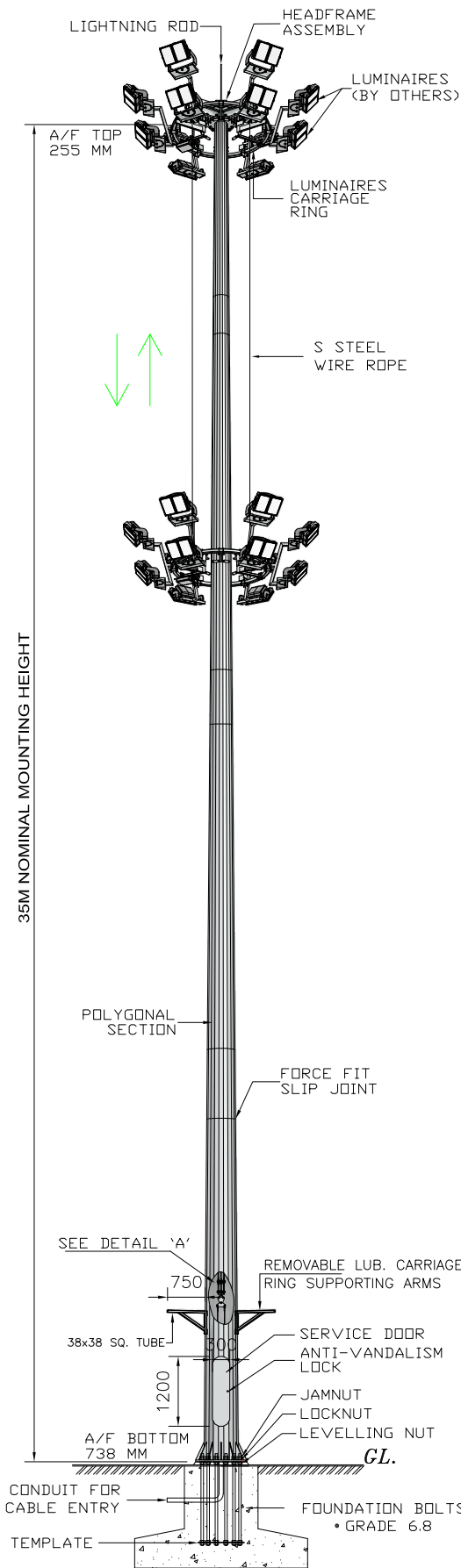
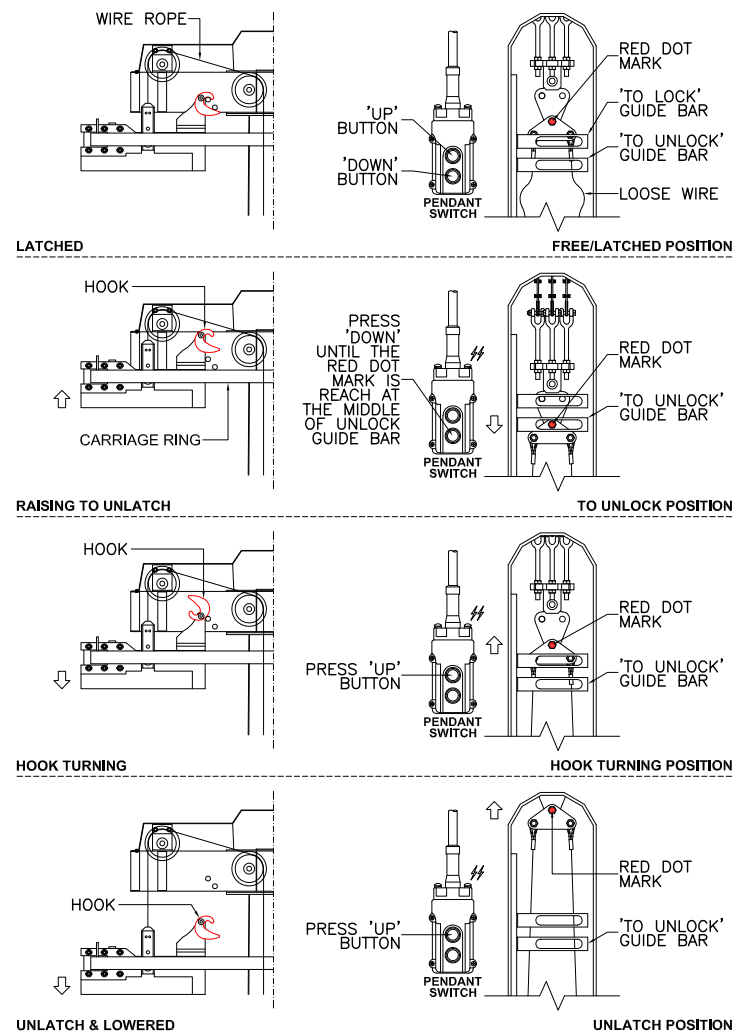


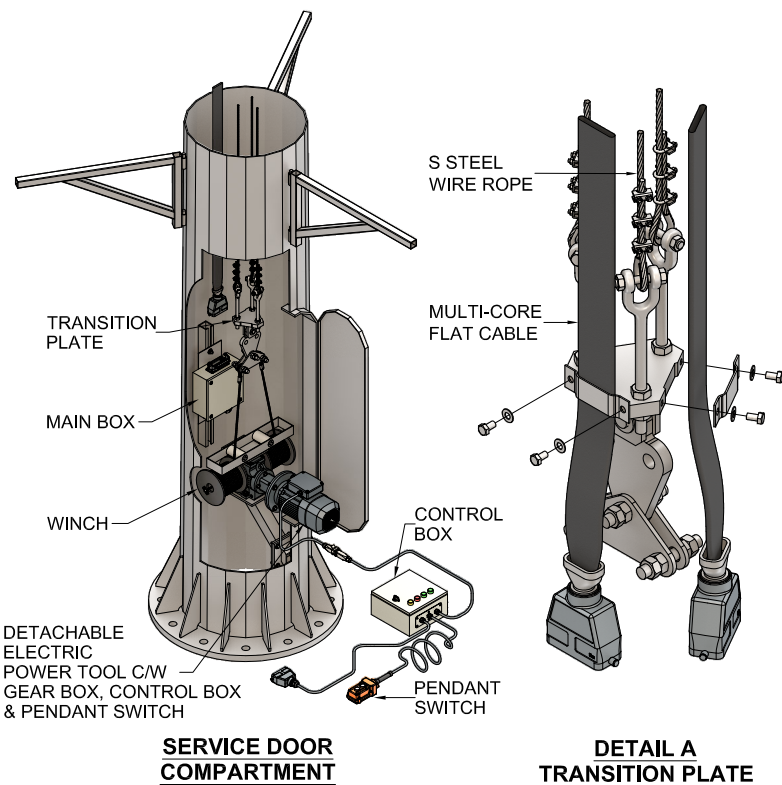
MAX. PROJECTED LUMINAIRE SAIL AREA = 2.5MSQ
 (BASED ON SYMMETRICAL LUM. ARRANGEMENT)
 MAX. LUMINAIRE AND BALLAST/COUNTER WEIGHT MASS = 800KGS



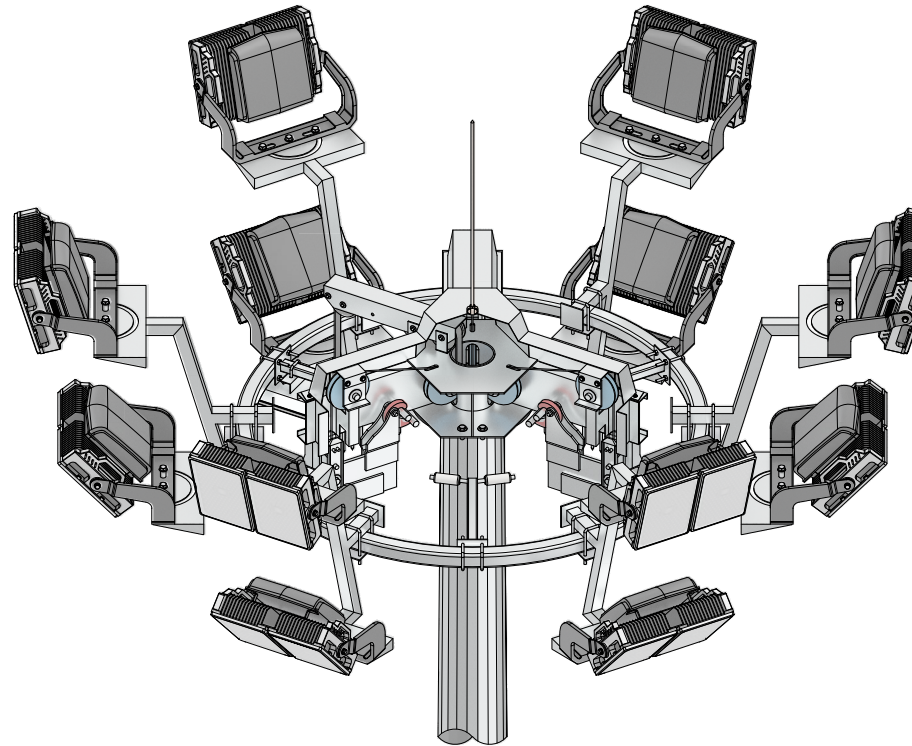
HEADFRAME



HEADFRAME & SERVICE DOOR - TO UNLOCK PROCESS



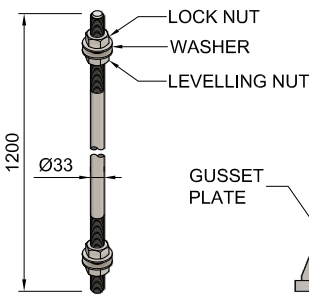
SERVICE DOOR



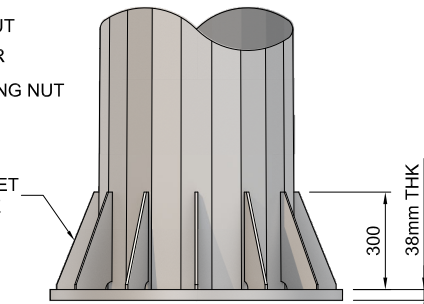
**HIGH MAST HEAD FRAME
 TYPICAL ARRANGEMENT OF LUMINAIRE**

NOTES :

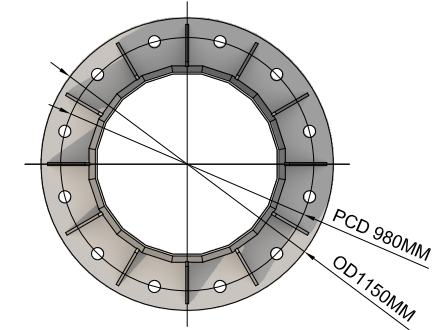
THE LATCHING MECHANISM USES SELF LOCKING SYSTEM FULLY OPERATIONAL BY LAW OF GRAVITY AND MUST NOT CONTAIN MECHANICAL COMPONENTS SUCH AS SPRINGS, LEVERS ETC.



ANCHOR BOLT



**BASE FLANGE (FRONT VIEW)
 STIFFENED WITH GUSSET PLATE**



**BASE FLANGE (PLAN VIEW)
 STIFFENED WITH GUSSET PLATE**

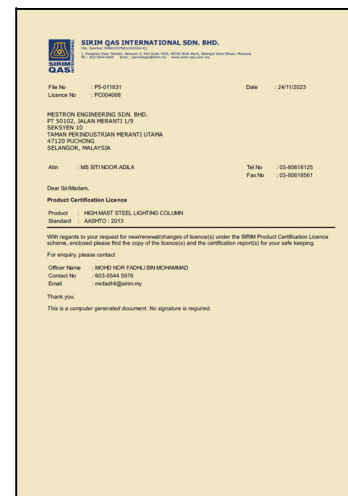
SPECIFICATION

- 1) HIGH MAST DIMENSION
 - 1.1 MOUNTING HEIGHT = 35M
 - 1.2 CROSS SECTION SHAPE (NO OF SIDES) = 20
 - 1.3 MAX. TOTAL NO OF SECTIONS = 4
 - 1.4 MAX. SECTION LENGTH = 10.8M
- 2) DESIGN CONDITIONS
 - 2.1 NUMBER OF LUMINAIRE = SUBJECT TO PROJECT
 - 2.2 LUMINAIRE RATING = SUBJECT TO PROJECT
 - 2.3 MAX. PROJECTED LUMINAIRE SAIL AREA (BASED ON SYMMETRICAL LUM. ARRANGEMENT) = 2.5MSQ
 - 2.4 MAX. LUMINAIRE AND BALLAST MASS = 800KGS
 - 2.5 BASIC WIND SPEED = 35 m/s at 10M HEIGHT
 - 2.6 DESIGN SAFETY FACTOR = SUBJECT TO PROJECT
- 3) CONFIRMING STANDARDS
 - 3.1 MAST DESIGN = ILE TR7/ CP3
 - 3.2 MATERIAL = BS 4360 GR50A / JIS G3101 SS400
 - 3.3 WELDING (ELECTRIC ARC WELDING) = BS 5135
 - 3.4 GALVANIZING = BS EN ISO : 1461 (BS 729)
- 4) TESTING PROCEDURES = DIMENSIONAL VERIFICATION GALVANIZING THICKNESS MATERIAL THICKNESS
- 5) ULTIMATE GROUND REACTIONS
 - 5.1 UNFACTORED SHEAR FORCE =
 - 5.2 UNFACTORED OVERTURNING MOMENT =
 - 5.3 UNFACTORED AXIAL LOAD =

	BOTTOM SECTION	INT. SECTION 1	INT. SECTION 2	TOP SECTION
LENGTH	10500	10800	10800	5650
THICKNESS	6	6	6	6
TOP AF				255
BOTTOM AF	738			



ISO 9001:2015



SIRIM PRODUCT CERTIFICATE



REV.	DATE	BY	DESCRIPTION

PROJECT

OWNER

M & E CONSULTANT

MAIN CONTRACTOR

DRAWING TITLE
**35M HIGH MAST
 HEAVY DUTY DESIGN**

MANUFACTURER

MESTRON ENGINEERING SDN BHD (591970-X)
 TEL: 603-8069 1815 FAX: 603-8069 1805
 EMAIL : info@mestron.com.my
 WEB : www.mestron.com.my

DRAWN BY : HAFIZ	DATE : 31-03-2024
SCALE : N.T.S	CHKD. BY : NED
DRAW NO. : 35M-HM-HD-20-D0-R0	REVISION 00