

TECHNICAL SPECIFICATION

1. LIGHTING POLE COMPLY TO **BS EN 40-5 : 2002** "LIGHTING COLUMNS, REQUIREMENT FOR STEEL LIGHTING COLUMNS"
2. DESIGN OF POLE ARE COMPREHENSIVELY ANALYSED USING STAAD. PRO V8i STRUCTURAL DESIGN SOFTWARE TO WITHSTAND **35 M/S** WIND-SPEED, TERRAIN ROUGHNESS AND STATISTICAL FACTOR OF **1.0**
3. POLE DESIGN VALIDATED WITH TYPE TEST "DESIGN AND VERIFICATION", TESTING IN ACCORDANCE TO **BS EN 40-3-2 : 2013**
4. MATERIAL USED FOR LIGHTING POLE COMPLY TO **BS EN 10025 S275 JR : 2004 / JIS G3101 : 2010 / SS400** WITH MINIMUM YIELD AND TENSILE STRENGTH OF **275 MPa** AND **430 MPa** RESPECTIVELY
5. WELDING PROCESS OF LIGHTING POLE IN COMPLIANCE TO WELDING PROCESS SPECIFICATION AS PER **BS EN 1011-2 : 2001**
6. PRODUCTS ARE TREATED WITH ANTI-CORROSIVE TREATMENT KNOWN AS HOT-DIP GALVANIZED COATINGS ON FABRICATED IRON AND STEEL ARTICLES IN ACCORDANCE TO **BS EN ISO 1461 : 2009**

STANDARD LIGHTING POLE

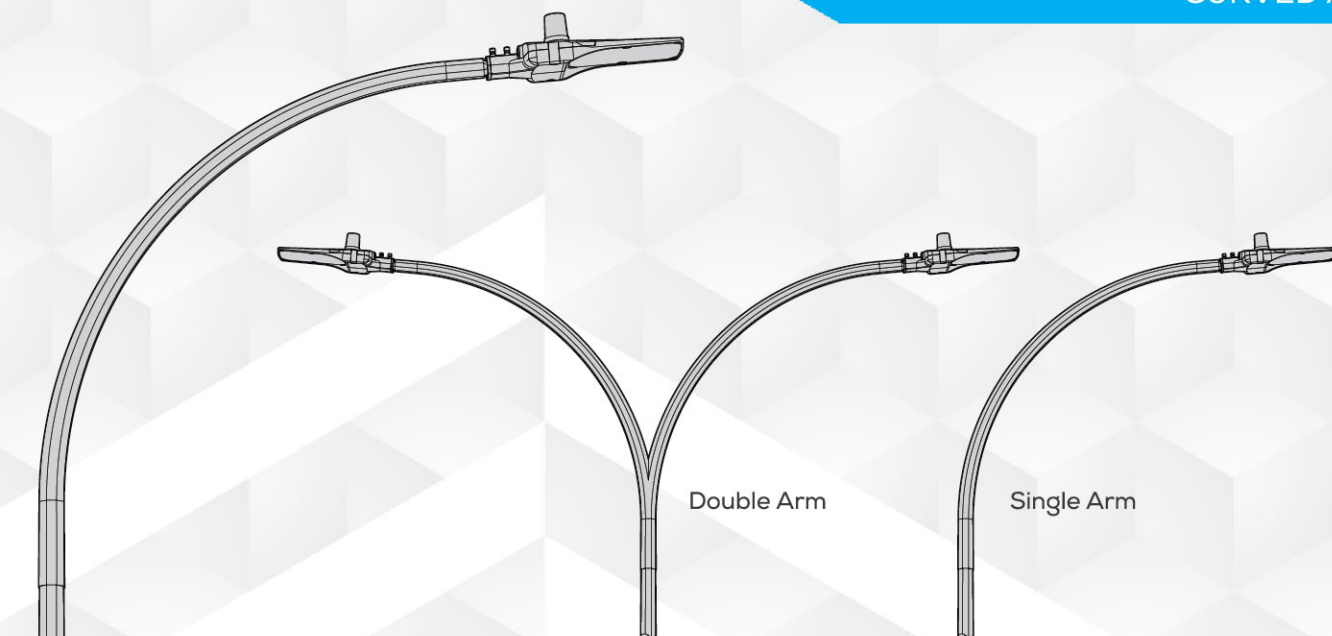
by Mestron®

CURVED ARM

With a wider road in mind, Street Lighting Pole with curve arm is specially designed for a better coverage due to its extended reach. It is optimized for main road and expressway.

OPTION AND ACCESSORIES

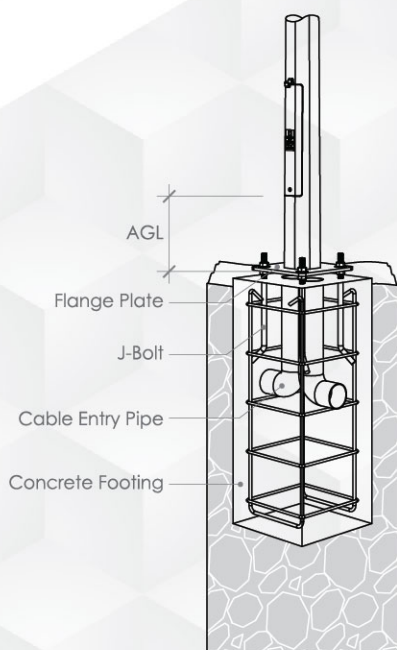
- 6M to 15M height
- Curve arm from 1.5M to 3.0M
- Spigot arm Dia. 48/60mm
- Fiberglass Service Door
- Anti-Stick Paint
- Twin Flag Holder
- Retractable Banner Holder



Double Arm

Single Arm

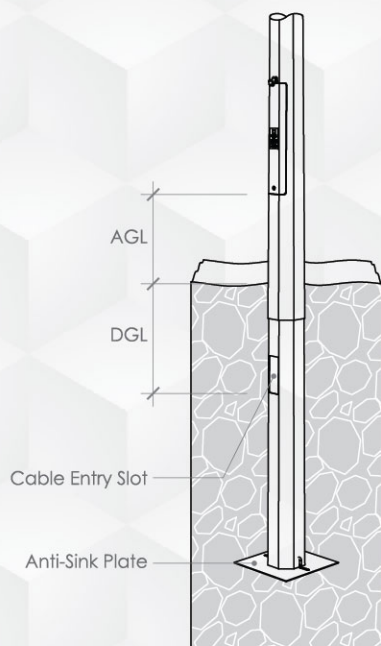
FLANGE MOUNTED



SECTION HEIGHT			BASE FLANGE PLATE				
Pole(M)	Bottom	Top	Width	C - C	Hole	THK	
6	4350	-	300	220	45 x 26	12	
8	6350	-	300	220	45 x 26	12	
9	2050	5600	300	220	45 x 26	15	
10	3050	5600	350	260	52 x 30	16	
12	5050	5600	400	300	56 x 30	18	
SERVICE DOOR			J-BOLT		CONCRETE FOOTING		
Pole(M)	AGL	Width	Dia.	Length	Width	Height	C - C
6	305	100	20	450	350	900	220
8	305	110	20	450	400	1000	220
9	610	120	20	450	400	1000	220
10	610	120	24	570	450	1100	260
12	610	120	24	570	500	1200	300

*All Dimension are in Millimeter (MM) unless stated

PLANTED



SECTION HEIGHT			ANTI-SINK PLATE		
Pole(M)	Bottom	Top	Width	THK	
6	5600	-	250	2.5	
8	2450	5600	300	2.5	
9	3450	5600	300	2.5	
10	4550	5600	300	2.5	
12	6750	5600	350	2.5	
SERVICE DOOR			PLANTING DEPTH		
Pole(M)	AGL	Width	Depth	DGL	Cable Entry
6	305	100	1200	500	150 x 60
8	305	120	1300	500	150 x 60
9	610	120	1400	500	150 x 60
10	610	120	1500	500	150 x 60
12	610	120	1700	500	150 x 60

*All Dimension are in Millimeter (MM) unless stated