



TECHNICAL SPECIFICATION

1. LIGHTING POLE COMPLY TO **BS EN 40-5 : 2002** "LIGHTING COLUMNS, REQUIREMENT FOR STEEL LIGHTING COLUMNS"
2. DESIGN OF POLE ARE COMPREHENSIVELY ANALYSED USING STAAD. PRO V8i STRUCTURAL DESIGN SOFTWARE TO WITHSTAND **35 M/S** WIND-SPEED, TERRAIN ROUGHNESS AND STATISTICAL FACTOR OF **1.0**
3. POLE DESIGN VALIDATED WITH TYPE TEST "DESIGN AND VERIFICATION", TESTING IN ACCORDANCE TO **BS EN 40-3-2 : 2013**
4. MATERIAL USED FOR LIGHTING POLE COMPLY TO **BS EN 10025 S275 JR : 2004 / JIS G3101 : 2010 / SS400** WITH MINIMUM YIELD AND TENSILE STRENGTH OF **275 MPa** AND **430 MPa** RESPECTIVELY
5. WELDING PROCESS OF LIGHTING POLE IN COMPLIANCE TO WELDING PROCESS SPECIFICATION AS PER **BS EN 1011-2 : 2001**
6. PRODUCTS ARE TREATED WITH ANTI-CORROSIVE TREATMENT KNOWN AS HOT-DIP GALVANIZED COATINGS ON FABRICATED IRON AND STEEL ARTICLES IN ACCORDANCE TO **BS EN ISO 1461 : 2009**

STANDARD LIGHTING POLE

by Mestron®

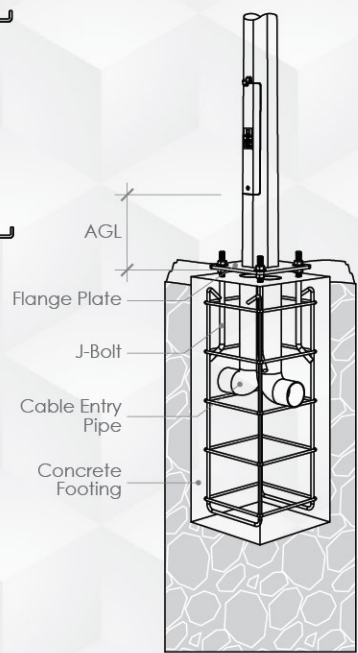
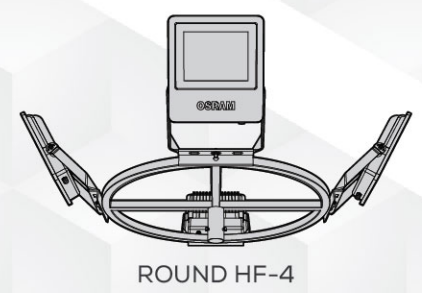
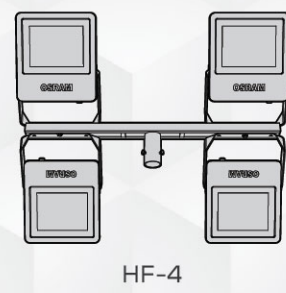
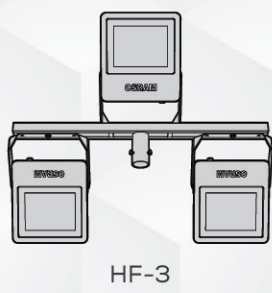
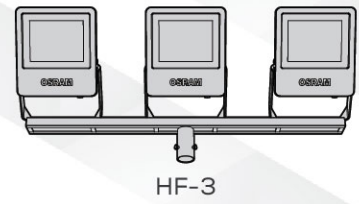
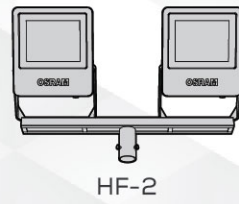
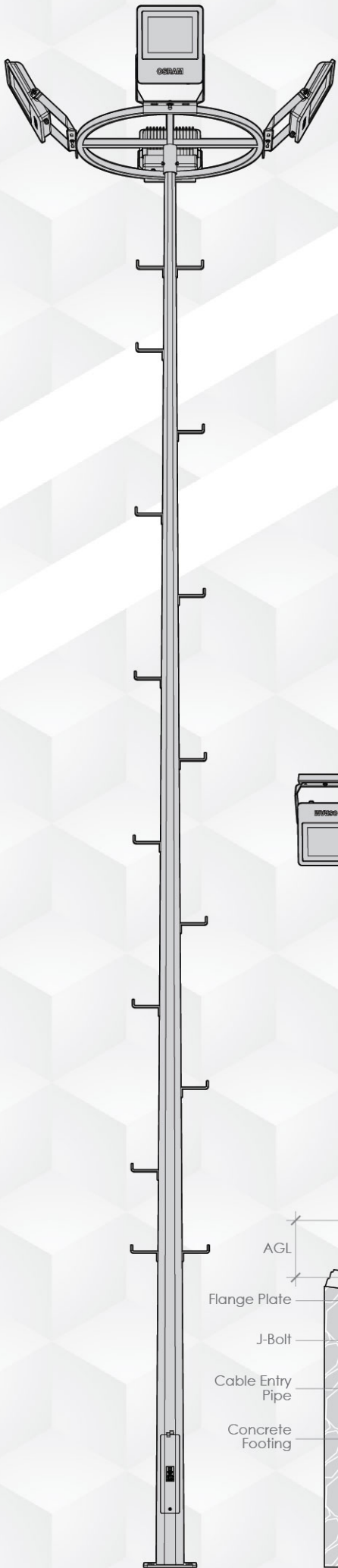
CLIMBING RUNG COLUMN

Climbing Rung Pole is equipped with detachable climbing rung for ease of maintenance without the use of lifting equipments.

Similar to Standard Flood Lighting Pole, it has a wide range of application for area lighting such as carpark, playground, field, warehouse and etc. Customized lighting design with various options is available to suit floodlight of all size and quantity.

OPTION AND ACCESSORIES

- 4M to 20M height
- Detachable / Weld-on Climbing bracket
- Customize Pole size for various application
- Head-Frame to suit all types of Fitting
- Brackets for additional attachment
- Fiberglass Service Door
- Anti-Stick Paint
- UV Resistant Polyester Powder Coating for Aesthetic Finishing



FLANGE MOUNTED

Pole(M)	SECTION HEIGHT		BASE FLANGE PLATE				
	Bottom	Top	Width	C - C	Hole	THK	
4	4000	-	250	195	37 x 20	9	
6	6000	-	300	220	45 x 26	12	
8	8000	-	300	220	45 x 26	12	
9	3700	5600	300	220	45 x 26	15	
10	4700	5600	350	260	52 x 30	16	
12	6750	5600	400	300	56 x 30	18	
Pole(M)	SERVICE DOOR		J-BOLT		CONCRETE FOOTING		
	AGL	Width	Dia.	Length	Width	Height	C - C
4	305	90	16	280	300	600	195
6	305	100	20	450	400	1000	220
8	305	110	20	450	400	1300	220
9	610	120	20	450	400	1300	220
10	610	120	24	570	450	1300	260
12	610	120	24	570	500	1500	300

*All Dimension are in Millimeter (MM) unless stated