



COLUMN

L I G H T I N G

by Mestron®

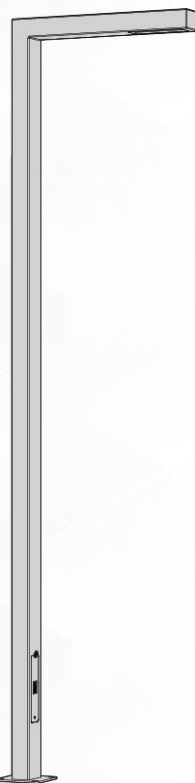
Product List



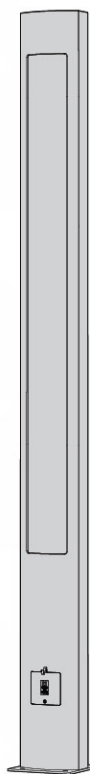
MES CL1001
p85



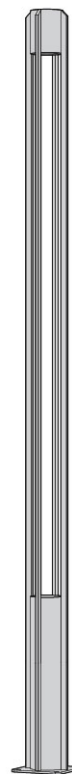
MES CL-1002
p86



MES CL-1003
p87



MES CL-1004
p88



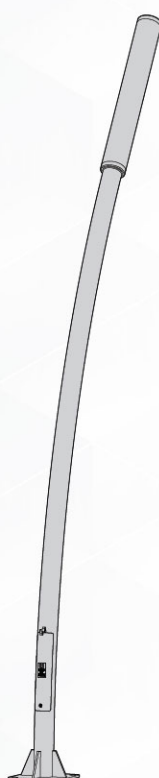
MES CL-1005
p89



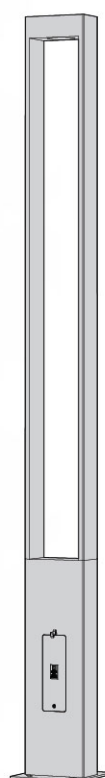
MES CL-1006
p90



MES CL-1007
p91



MES CL-1008
p92



MES CL-1009
p93



MES CL-1010
p94

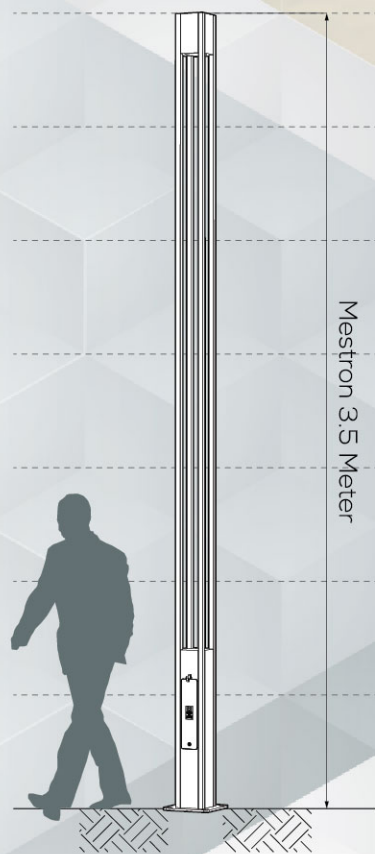
COLUMN LIGHTING

by Mestron®

AMETHYST MES CL-1001

- BLACK
RAL 7075
- SILVER
RAL 9006
- LIGHT GREY
RAL 7045
- DARK GREY
RAL 7043

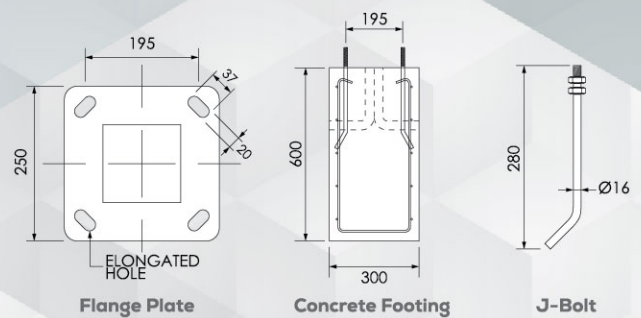
Dimension



Features

- Fully customizable light columns.
- Practical, elegant, efficient. Timeless modern design options
- Easy to maintain, robust and durable construction.
- Height customize from 3 meter to 6 meter.
- Finished with high quality powder coated paint.
- High quality stainless steel fastener.
- Durable silicone rubber gasket.
- Clear toughened glass diffuser.
- LED with long life, limited maintenance and constant lifetime performance.
- Designed to illuminating the parks, gardens, pedestrian pathways, lawns, driveways and etc.

Footing Details



Luminaire Specifications

110-277VAC 50/60 Hz | IP65 | CLASS 1

Product Code	Wattage	Lumen	Chip Brand	Driver Brand	Power Factor
MES CM-1001	30W~60W	110-130lm/W	CREE/OSRAM	MW/Inventronics	>0.9
CCT	CRI	Working Temperature	Life Span (Hours)	Material	
3000K-6500K	>70/80	-40°C to 60°C	50,000 hours	Mild Steel Plate	

- Remark :
1. Driver is dimmable (1-10V) or non-dimmable optional
 2. Total Lumen is according to project's requirements
 3. All dimensions are in millimeter(MM) unless stated



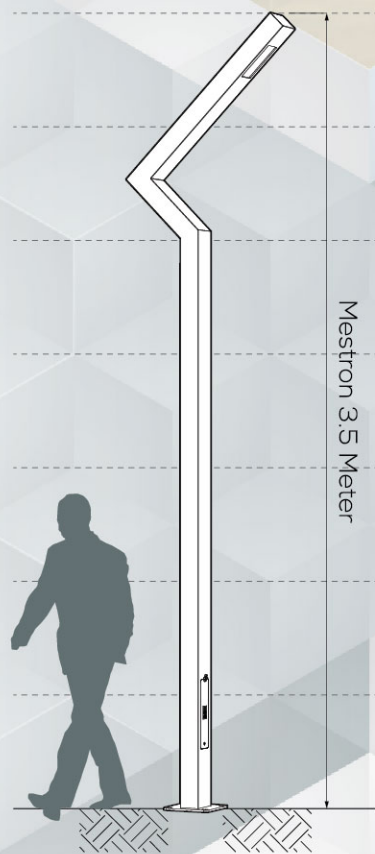
COLUMN LIGHTING

by Mestron®

AMMOLITE MES CL-1002

- BLACK
RAL 7075
- SILVER
RAL 9006
- LIGHT GREY
RAL 7045
- DARK GREY
RAL 7043

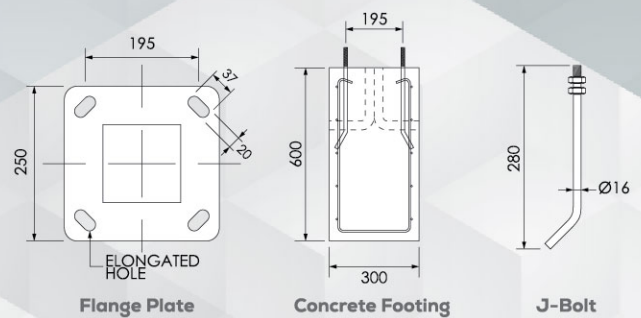
Dimension



Features

- Fully customizable light columns.
- Practical, elegant, efficient. Timeless modern design options
- Easy to maintain, robust and durable construction.
- Height customize from 3 meter to 6 meter.
- Finished with high quality powder coated paint.
- High quality stainless steel fastener.
- Durable silicone rubber gasket.
- Clear toughened glass diffuser.
- LED with long life, limited maintenance and constant lifetime performance.
- Designed to illuminating the parks, gardens, pedestrian pathways, lawns, driveways and etc.

Footing Details



Luminaire Specifications

110-277VAC 50/60 Hz | IP65 | CLASS 1

Product Code	Wattage	Lumen	Chip Brand	Driver Brand	Power Factor
MES CM-1002	30W~60W	110-130lm/W	CREE/OSRAM	MW/Inventronics	>0.9
CCT	CRI	Working Temperature	Life Span (Hours)	Material	
3000K-6500K	>70/80	-40°C to 60°C	50,000 hours	Mild Steel Plate	

- Remark :
1. Driver is dimmable (1-10V) or non-dimmable optional
 2. Total Lumen is according to project's requirements
 3. All dimensions are in millimeter(MM) unless stated



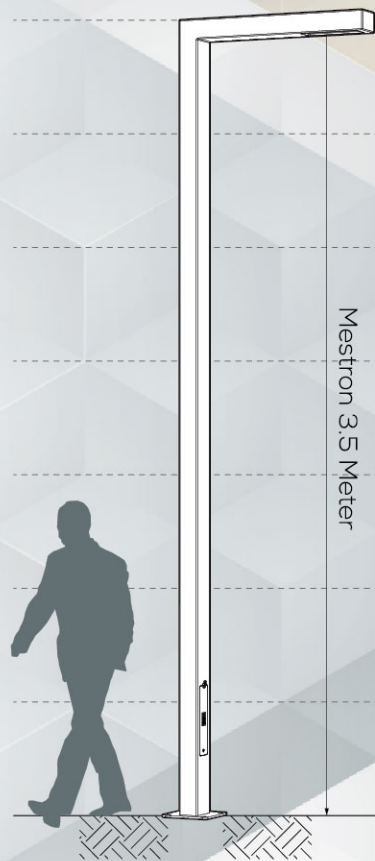
COLUMN LIGHTING

by Mestron®

AMBER MES CL-1003

- BLACK RAL 7075
- SILVER RAL 9006
- LIGHT GREY RAL 7045
- DARK GREY RAL 7043

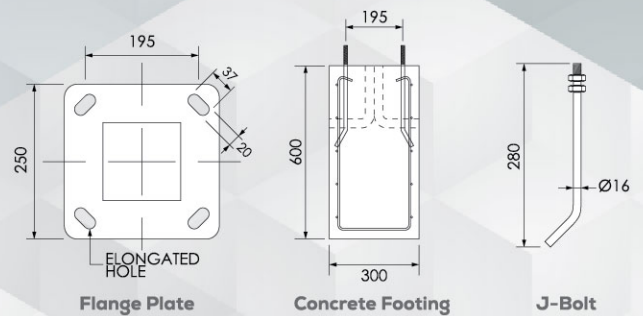
Dimension



Features

- Fully customizable light columns.
- Practical, elegant, efficient. Timeless modern design options
- Easy to maintain, robust and durable construction.
- Height customize from 3 meter to 6 meter.
- Finished with high quality powder coated paint.
- High quality stainless steel fastener.
- Durable silicone rubber gasket.
- Clear toughened glass diffuser.
- LED with long life, limited maintenance and constant lifetime performance.
- Designed to illuminating the parks, gardens, pedestrian pathways, lawns, driveways and etc.

Footing Details



Luminaire Specifications

110-277VAC 50/60 Hz | IP65 | CLASS 1

Product Code	Wattage	Lumen	Chip Brand	Driver Brand	Power Factor
MES CM-1003	30W~60W	110-130lm/W	CREE/OSRAM	MW/Inventronics	>0.9
CCT	CRI	Working Temperature	Life Span (Hours)	Material	
3000K-6500K	>70/80	-40°C to 60°C	50,000 hours	Mild Steel Plate	

Remark :

1. Driver is dimmable (1-10V) or non-dimmable optional
2. Total Lumen is according to project's requirements
3. All dimensions are in millimeter(MM) unless stated



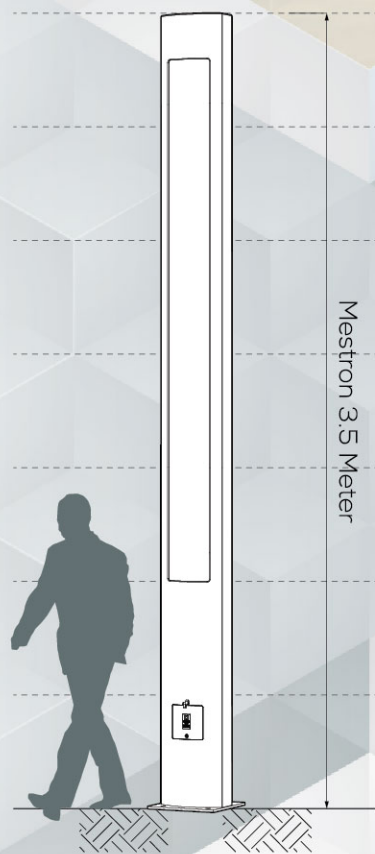
COLUMN LIGHTING

by Mestron®

AMETRINE MES CL-1004

- BLACK
RAL 7075
- SILVER
RAL 9006
- LIGHT GREY
RAL 7045
- DARK GREY
RAL 7043

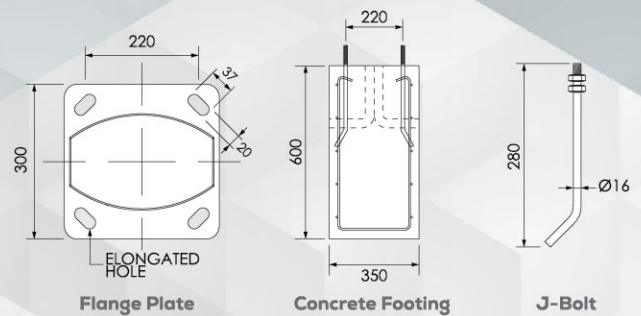
Dimension



Features

- Fully customizable light columns.
- Practical, elegant, efficient. Timeless modern design options
- Easy to maintain, robust and durable construction.
- Height customize from 3 meter to 6 meter.
- Finished with high quality powder coated paint.
- High quality stainless steel fastener.
- Durable silicone rubber gasket.
- Clear toughened glass diffuser.
- LED with long life, limited maintenance and constant lifetime performance.
- Designed to illuminating the parks, gardens, pedestrian pathways, lawns, driveways and etc.

Footing Details



Luminaire Specifications

110-277VAC 50/60 Hz IP65 CLASS 1					
Product Code	Wattage	Lumen	Chip Brand	Driver Brand	Power Factor
MES CM-1004	30W~60W	110-130lm/W	CREE/OSRAM	MW/Inventronics	>0.9
CCT	CRI	Working Temperature	Life Span (Hours)	Material	
3000K-6500K	>70/80	-40°C to 60°C	50,000 hours	Mild Steel Plate	

- Remark :
1. Driver is dimmable (1-10V) or non-dimmable optional
 2. Total Lumen is according to project's requirements
 3. All dimensions are in millimeter(MM) unless stated



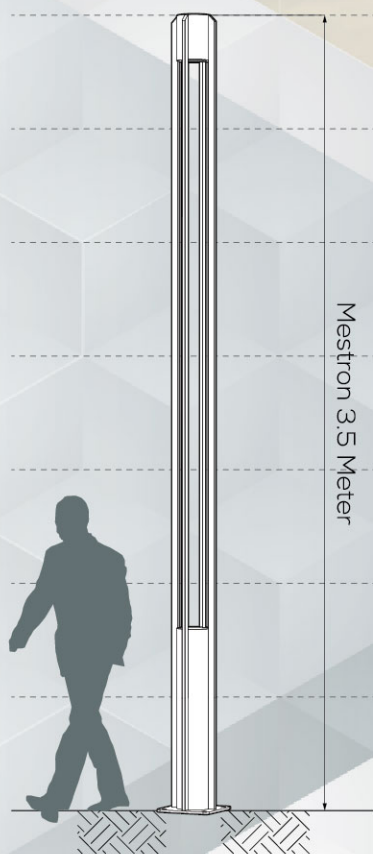
COLUMN LIGHTING

by Mestron®

ANDESINE MES CL-1005

- BLACK
RAL 7075
- SILVER
RAL 9006
- LIGHT GREY
RAL 7045
- DARK GREY
RAL 7043

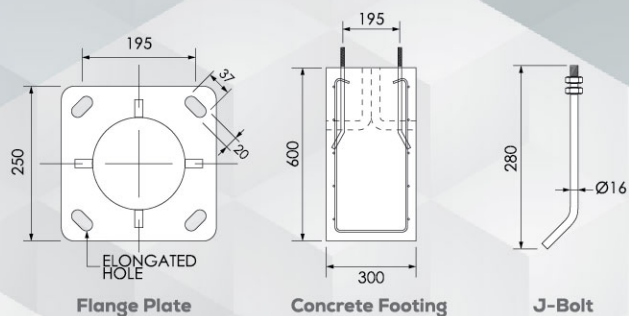
Dimension



Features

- Fully customizable light columns.
- Practical, elegant, efficient. Timeless modern design options
- Easy to maintain, robust and durable construction.
- Height customize from 3 meter to 6 meter.
- Finished with high quality powder coated paint.
- High quality stainless steel fastener.
- Durable silicone rubber gasket.
- Clear toughened glass diffuser.
- LED with long life, limited maintenance and constant lifetime performance.
- Designed to illuminating the parks, gardens, pedestrian pathways, lawns, driveways and etc.

Footing Details



Luminaire Specifications

110-277VAC 50/60 Hz | IP65 | CLASS 1

Product Code	Wattage	Lumen	Chip Brand	Driver Brand	Power Factor
MES CM-1005	30W~60W	110-130lm/W	CREE/OSRAM	MW/Inventronics	>0.9
CCT	CRI	Working Temperature	Life Span (Hours)	Material	
3000K-6500K	>70/80	-40°C to 60°C	50,000 hours	Mild Steel Plate	

- Remark :
1. Driver is dimmable (1-10V) or non-dimmable optional
 2. Total Lumen is according to project's requirements
 3. All dimensions are in millimeter(MM) unless stated



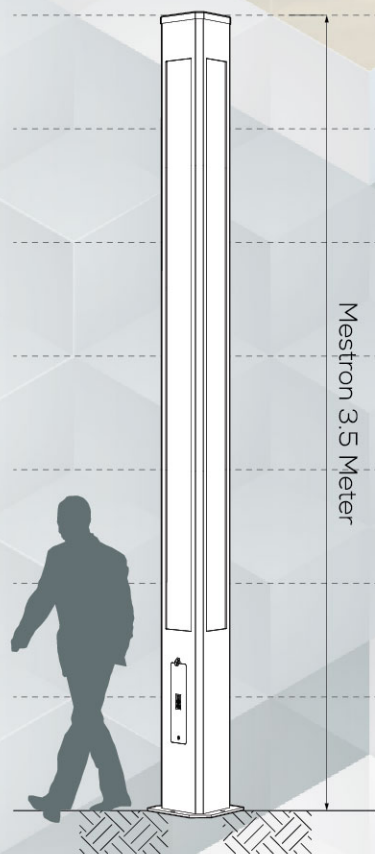
COLUMN LIGHTING

by Mestron®

AZURITE MES CL-1006

- BLACK
RAL 7075
- SILVER
RAL 9006
- LIGHT GREY
RAL 7045
- DARK GREY
RAL 7043

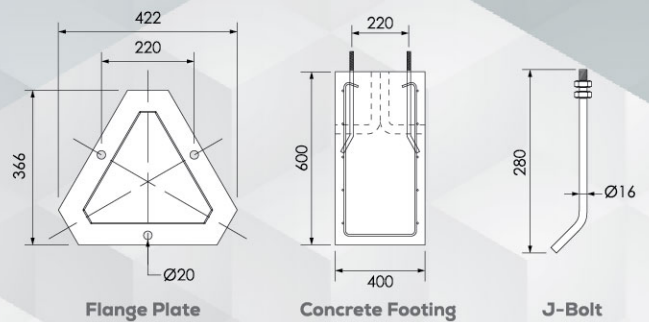
Dimension



Features

- Fully customizable light columns.
- Practical, elegant, efficient. Timeless modern design options
- Easy to maintain, robust and durable construction.
- Height customize from 3 meter to 6 meter.
- Finished with high quality powder coated paint.
- High quality stainless steel fastener.
- Durable silicone rubber gasket.
- Clear toughened glass diffuser.
- LED with long life, limited maintenance and constant lifetime performance.
- Designed to illuminating the parks, gardens, pedestrian pathways, lawns, driveways and etc.

Footing Details



Luminaire Specifications

110-277VAC 50/60 Hz | IP65 | CLASS 1

Product Code	Wattage	Lumen	Chip Brand	Driver Brand	Power Factor
MES CM-1006	30W~60W	110-130lm/W	CREE/OSRAM	MW/Inventronics	>0.9
CCT	CRI	Working Temperature	Life Span (Hours)	Material	
3000K-6500K	>70/80	-40°C to 60°C	50,000 hours	Mild Steel Plate	

- Remark :
1. Driver is dimmable (1-10V) or non-dimmable optional
 2. Total Lumen is according to project's requirements
 3. All dimensions are in millimeter(MM) unless stated



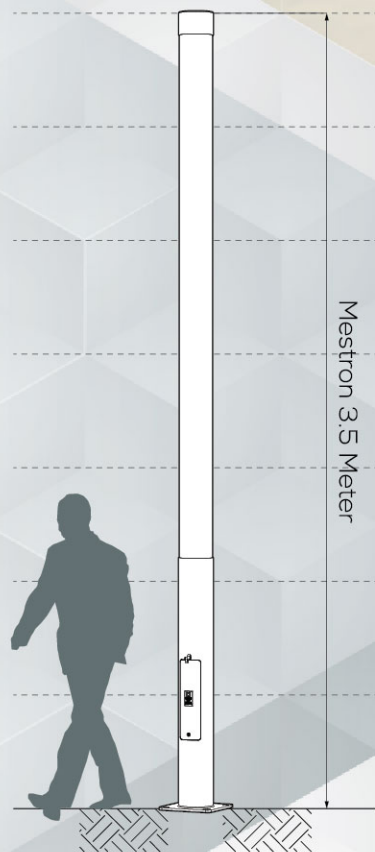
COLUMN LIGHTING

by Mestron®

AVENTURINE MES CL-1007

- BLACK
RAL 7075
- SILVER
RAL 9006
- LIGHT GREY
RAL 7045
- DARK GREY
RAL 7043

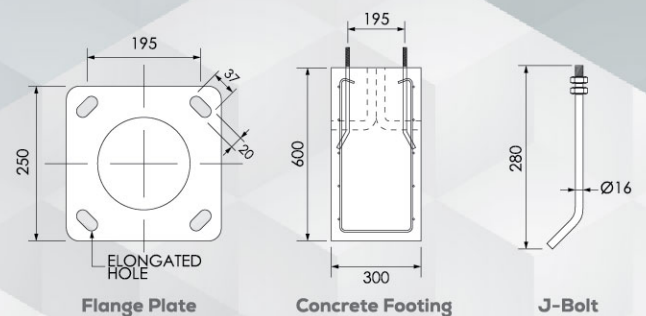
Dimension



Features

- Fully customizable light columns.
- Practical, elegant, efficient. Timeless modern design options
- Easy to maintain, robust and durable construction.
- Height customize from 3 meter to 6 meter.
- Finished with high quality powder coated paint.
- High quality stainless steel fastener.
- Durable silicone rubber gasket.
- Clear toughened glass diffuser.
- LED with long life, limited maintenance and constant lifetime performance.
- Designed to illuminating the parks, gardens, pedestrian pathways, lawns, driveways and etc.

Footing Details



Luminaire Specifications

110-277VAC 50/60 Hz | IP65 | CLASS 1

Product Code	Wattage	Lumen	Chip Brand	Driver Brand	Power Factor
MES CM-1007	30W~60W	110-130lm/W	CREE/OSRAM	MW/Inventronics	>0.9
CCT	CRI	Working Temperature	Life Span (Hours)	Material	
3000K-6500K	>70/80	-40°C to 60°C	50,000 hours	Mild Steel Plate	

- Remark :
1. Driver is dimmable (1-10V) or non-dimmable optional
 2. Total Lumen is according to project's requirements
 3. All dimensions are in millimeter(MM) unless stated



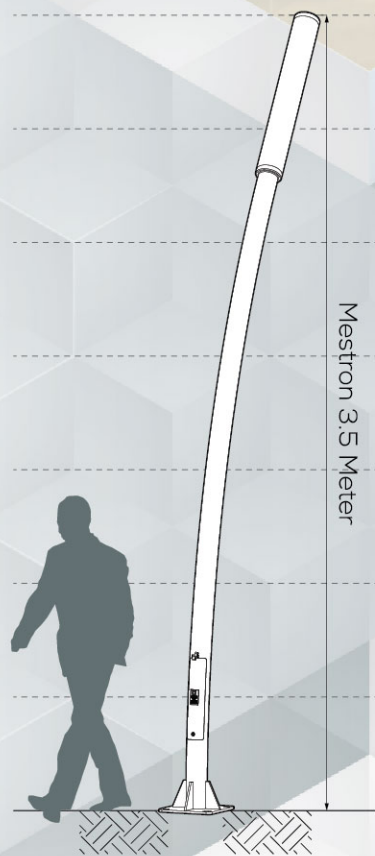
COLUMN LIGHTING

by Mestron®

APATITE MES CL-1008

- BLACK
RAL 7075
- SILVER
RAL 9006
- LIGHT GREY
RAL 7045
- DARK GREY
RAL 7043

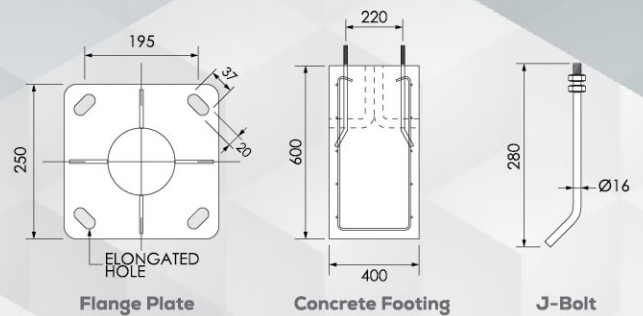
Dimension



Features

- Fully customizable light columns.
- Practical, elegant, efficient. Timeless modern design options
- Easy to maintain, robust and durable construction.
- Height customize from 3 meter to 6 meter.
- Finished with high quality powder coated paint.
- High quality stainless steel fastener.
- Durable silicone rubber gasket.
- Clear toughened glass diffuser.
- LED with long life, limited maintenance and constant lifetime performance.
- Designed to illuminating the parks, gardens, pedestrian pathways, lawns, driveways and etc.

Footing Details



Luminaire Specifications

110-277VAC 50/60 Hz | IP65 | CLASS 1

Product Code	Wattage	Lumen	Chip Brand	Driver Brand	Power Factor
MES CM-1008	30W~60W	110-130lm/W	CREE/OSRAM	MW/Inventronics	>0.9
CCT	CRI	Working Temperature	Life Span (Hours)	Material	
3000K-6500K	>70/80	-40°C to 60°C	50,000 hours	Mild Steel Plate	

- Remark :
1. Driver is dimmable (1-10V) or non-dimmable optional
 2. Total Lumen is according to project's requirements
 3. All dimensions are in millimeter(MM) unless stated



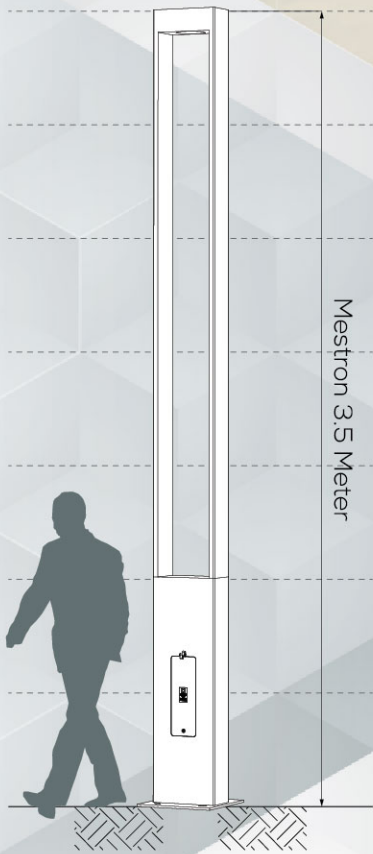
COLUMN LIGHTING

by Mestron®

AQUAMARINE MES CL-1009

- BLACK
RAL 7075
- SILVER
RAL 9006
- LIGHT GREY
RAL 7045
- DARK GREY
RAL 7043

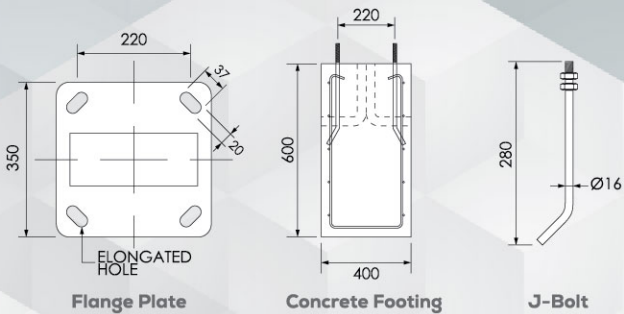
Dimension



Features

- Fully customizable light columns.
- Practical, elegant, efficient. Timeless modern design options
- Easy to maintain, robust and durable construction.
- Height customize from 3 meter to 6 meter.
- Finished with high quality powder coated paint.
- High quality stainless steel fastener.
- Durable silicone rubber gasket.
- Clear toughened glass diffuser.
- LED with long life, limited maintenance and constant lifetime performance.
- Designed to illuminating the parks, gardens, pedestrian pathways, lawns, driveways and etc.

Footing Details



Luminaire Specifications

110-277VAC 50/60 Hz | IP65 | CLASS 1

Product Code	Wattage	Lumen	Chip Brand	Driver Brand	Power Factor
MES CM-1009	30W~60W	110-130lm/W	CREE/OSRAM	MW/Inventronics	>0.9
CCT	CRI	Working Temperature	Life Span (Hours)	Material	
3000K-6500K	>70/80	-40°C to 60°C	50,000 hours	Mild Steel Plate	

- Remark :
1. Driver is dimmable (1-10V) or non-dimmable optional
 2. Total Lumen is according to project's requirements
 3. All dimensions are in millimeter(MM) unless stated



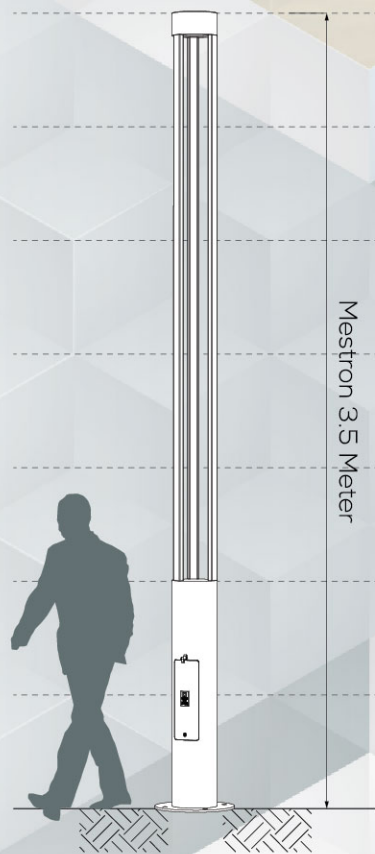
COLUMN LIGHTING

by Mestron®

ANDALUSITE MES CL-1010

- BLACK
RAL 7075
- SILVER
RAL 9006
- LIGHT GREY
RAL 7045
- DARK GREY
RAL 7043

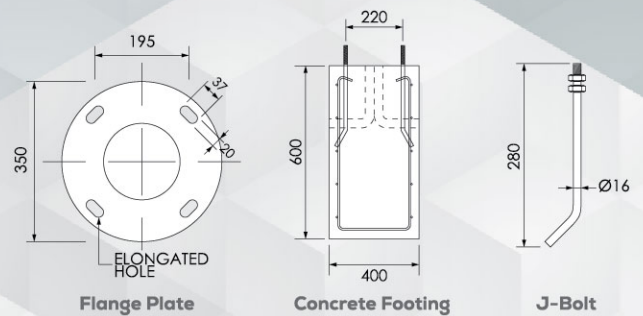
Dimension



Features

- Fully customizable light columns.
- Practical, elegant, efficient. Timeless modern design options
- Easy to maintain, robust and durable construction.
- Height customize from 3 meter to 6 meter.
- Finished with high quality powder coated paint.
- High quality stainless steel fastener.
- Durable silicone rubber gasket.
- Clear toughened glass diffuser.
- LED with long life, limited maintenance and constant lifetime performance.
- Designed to illuminating the parks, gardens, pedestrian pathways, lawns, driveways and etc.

Footing Details



Luminaire Specifications

110-277VAC 50/60 Hz | IP65 | CLASS 1

Product Code	Wattage	Lumen	Chip Brand	Driver Brand	Power Factor
MES CM-1010	30W~60W	110-130lm/W	CREE/OSRAM	MW/Inventronics	>0.9
CCT	CRI	Working Temperature	Life Span (Hours)	Material	
3000K-6500K	>70/80	-40°C to 60°C	50,000 hours	Mild Steel Plate	

- Remark :
1. Driver is dimmable (1-10V) or non-dimmable optional
 2. Total Lumen is according to project's requirements
 3. All dimensions are in millimeter(MM) unless stated

