

STADIUM MAST

Stadium Mast specialize in high concentration lighting to lights up large area efficiently at specific direction typically for sports arena.

Maintenance Hoisting Lift provide lifting from ground to platform level for periodic maintenance.

OPTION AND ACCESSORIES

- 15M to 45M height
- Lifting capacity 200 kgs (2 workers and equipment)
- Option for climbing ladder
- Head-Frame to suit all types of fitting
- Brackets for additional attachment

STANDARD LIGHTING POLE

by Mestron®

TECHNICAL SPECIFICATION

1

LIGHTING POLE COMPLY TO (ILP : 2013) HIGH MAST FOR LIGHTING AND CCTV (2013 EDITION) BY INSTITUTE OF LIGHTING PROFESSIONAL (ILP)

2

DESIGN OF POLE ARE COMPREHENSIVELY ANALYSED USING STAAD. PRO V8i STRUCTURAL DESIGN SOFTWARE TO WITHSTAND 35 M/S WIND-SPEED, TERRAIN ROUGHNESS AND STATISTICAL FACTOR OF 1.0

3

MATERIAL USED FOR LIGHTING POLE COMPLY TO BS EN 10025 S275 JR : 2004 / JIS G3101 : 2010 / SS400 WITH MINIMUM YIELD AND TENSILE STRENGTH OF 275 MPa AND 430 MPa RESPECTIVELY

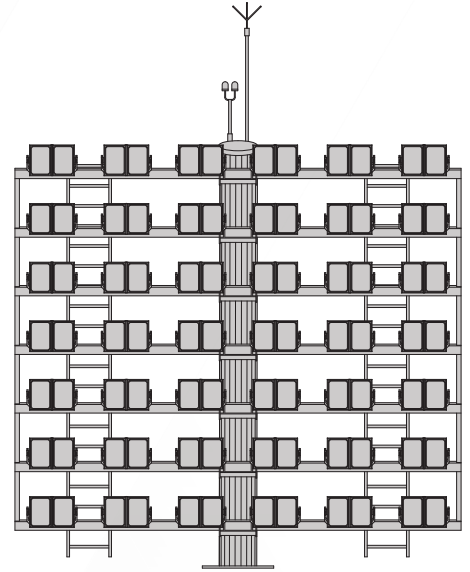
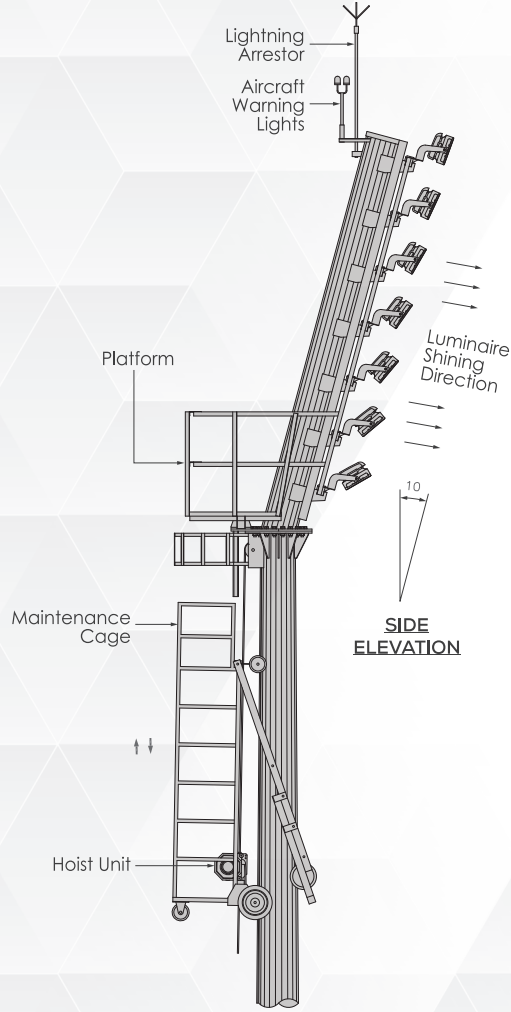
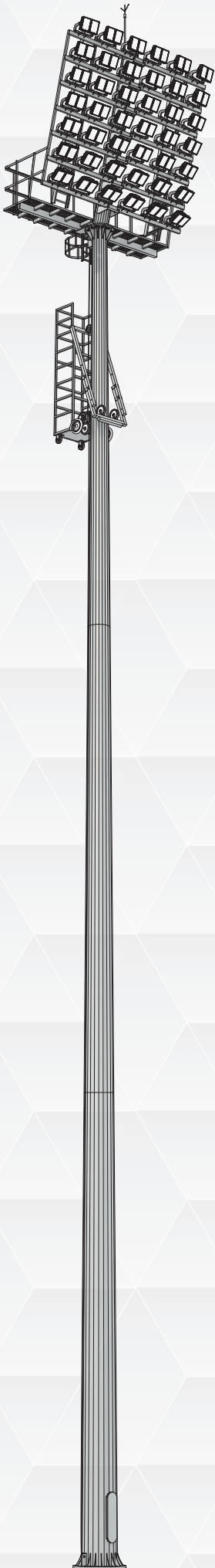
4

WELDING PROCESS OF LIGHTING POLE IN COMPLIANCE TO WELDING PROCESS SPECIFICATION AS PER BS EN 1011-2 : 2001

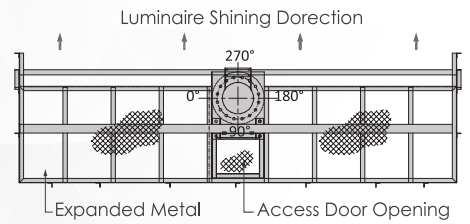
5

PRODUCTS ARE TREATED WITH ANTI-CORROSIVE TREATMENT KNOWN AS HOT-DIP GALVANIZED COATINGS ON FABRICATED IRON AND STEEL ARTICLES IN ACCORDANCE TO BS EN ISO 1461 : 2009

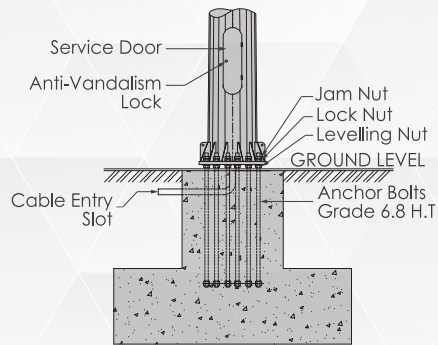




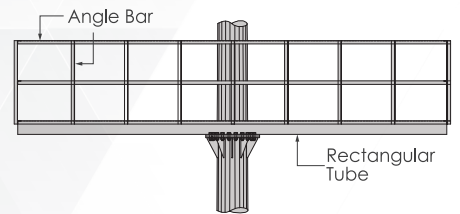
HEAD FRAME FRONT VIEW



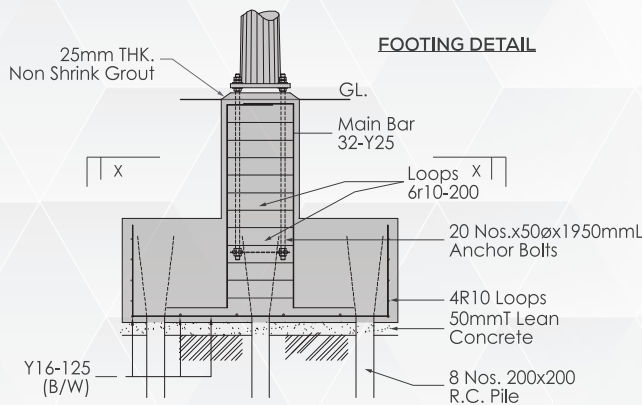
PLATFORM PLAN



FOOTING DETAIL

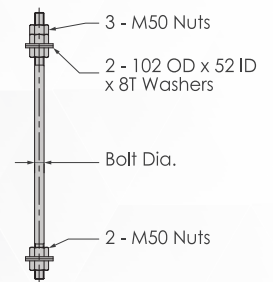


PLATFORM ELEVATION



PILE CAP SECTION

IMPORTANT NOTICE :
FOOTING DETAIL ARE PROVIDED AS A GENERAL GUIDE ONLY. IT IS A RESPONSIBILITY OF THE CONTRACTOR TO SEEK PROFESSIONAL ENGINEER'S VERIFICATION AND ADVISE



ANCHOR BOLT GR.6.8