

TECHNICAL SPECIFICATION

1. LIGHTING POLE COMPLY TO **BS EN 40-5 : 2002** "LIGHTING COLUMNS, REQUIREMENT FOR STEEL LIGHTING COLUMNS"
2. DESIGN OF POLE ARE COMPREHENSIVELY ANALYSED USING STAAD. PRO V8i STRUCTURAL DESIGN SOFTWARE TO WITHSTAND **35 M/S** WIND-SPEED, TERRAIN ROUGHNESS AND STATISTICAL FACTOR OF **1.0**
3. POLE DESIGN VALIDATED WITH TYPE TEST "DESIGN AND VERIFICATION", TESTING IN ACCORDANCE TO **BS EN 40-3-2 : 2013**
4. MATERIAL USED FOR LIGHTING POLE COMPLY TO **BS EN 10025 S275 JR : 2004 / JIS G3101 : 2010 / SS400** WITH MINIMUM YIELD AND TENSILE STRENGTH OF **275 MPa** AND **430 MPa** RESPECTIVELY
5. WELDING PROCESS OF LIGHTING POLE IN COMPLIANCE TO WELDING PROCESS SPECIFICATION AS PER **BS EN 1011-2 : 2001**
6. PRODUCTS ARE TREATED WITH ANTI-CORROSIVE TREATMENT KNOWN AS HOT-DIP GALVANIZED COATINGS ON FABRICATED IRON AND STEEL ARTICLES IN ACCORDANCE TO **BS EN ISO 1461 : 2009**

STANDARD LIGHTING POLE

by Mestron®

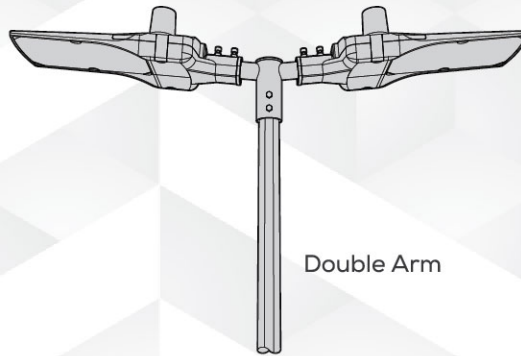
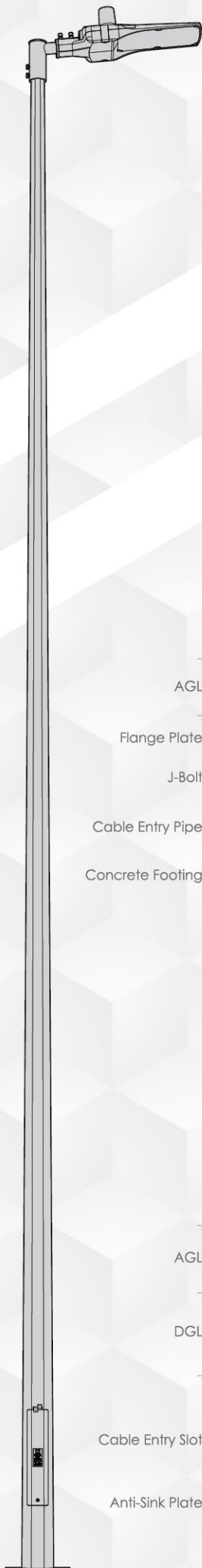
SHORT SPIGOT

Street Lighting Pole equipped with short spigot arm suited for wide range of application ranging from residential area to expressway.

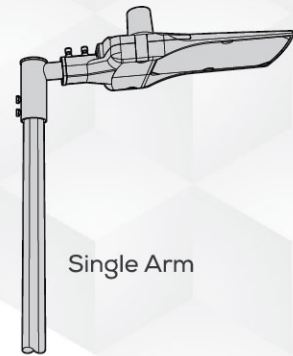
Special consideration is catered for ease of storage while facilitating maintenance works.

OPTION AND ACCESSORIES

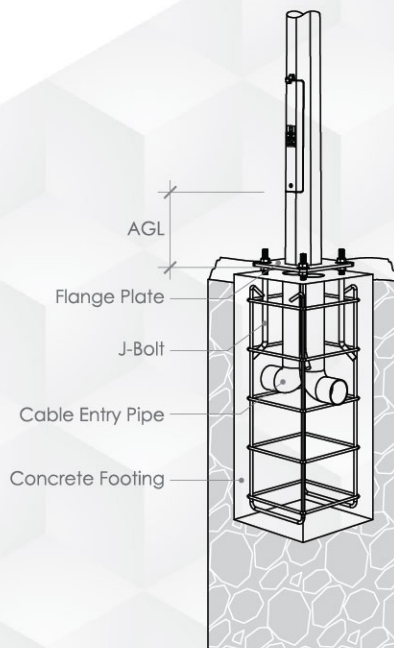
- 4M to 12M height
- Spigot arm Dia. 48/60mm
- Fiberglass Service Door
- Anti-Stick Paint
- Twin Flag Holder
- Retractable Banner Holder



Double Arm



Single Arm

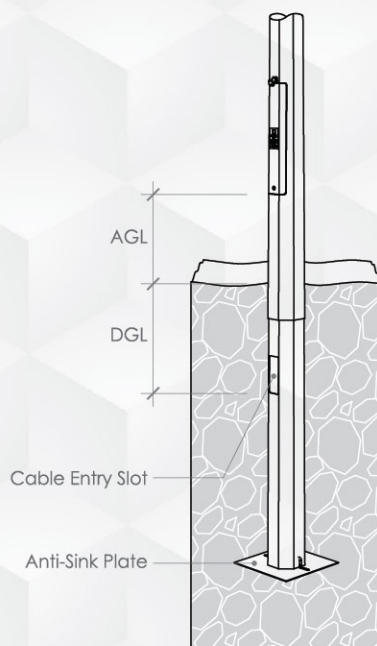


FLANGE MOUNTED

SECTION HEIGHT			BASE FLANGE PLATE			
Pole(M)	Bottom	Top	Width	C - C	Hole	THK
4	4000	-	250	195	37 x 20	9
6	6000	-	300	220	45 x 26	12
8	8000	-	300	220	45 x 26	12
9	2050	7200	300	220	45 x 26	15
10	3050	7200	350	260	52 x 30	16
12	5050	7200	400	300	56 x 30	18

SERVICE DOOR			J-BOLT		CONCRETE FOOTING		
Pole(M)	AGL	Width	Dia.	Length	Width	Height	C - C
4	305	90	16	280	300	600	195
6	305	100	20	450	350	900	220
8	305	110	20	450	400	1000	220
9	610	120	20	450	400	1000	220
10	610	120	24	570	450	1100	260
12	610	120	24	570	500	1200	300

*All Dimension are in Millimeter (MM) unless stated



PLANTED

SECTION HEIGHT			ANTI-SINK PLATE	
Pole(M)	Bottom	Top	Width	THK
4	4800	-	250	2.5
6	7200	-	250	2.5
8	2450	7200	300	2.5
9	3450	7200	300	2.5
10	4550	7200	300	2.5
12	6750	7200	300	2.5

SERVICE DOOR			PLANTING DEPTH		
Pole(M)	AGL	Width	Depth	DGL	Cable Entry
4	305	90	800	500	150 x 50
6	305	100	1200	500	150 x 60
8	305	110	1300	500	150 x 60
9	610	120	1400	500	150 x 60
10	610	120	1500	500	150 x 60
12	610	120	1700	500	150 x 60

*All Dimension are in Millimeter (MM) unless stated