

# MID-HINGED COLUMN

Mid-Hinged Column also known as Collapsible or See-Saw Pole, are designed for ease of maintenance especially under restricted condition.

The hinge mechanism enables top half of the pole to swing down for maintenance at ground level without needing the servicing personnel to climb up.

## OPTION AND ACCESSORIES

- 4M to 20M height
- Apron customized for weight balancing
- Customize Pole size for various application
- Head-Frame to suit all types of Fitting
- Brackets for additional attachment
- Fiberglass Service Door
- Anti-Stick Paint
- UV Resistant Polyester Powder Coating for Aesthetic Finishing

# STANDARD

## LIGHTING POLE

by Mestron®

## TECHNICAL SPECIFICATION

1

LIGHTING POLE COMPLY TO **BS EN 40-5 : 2002** "LIGHTING COLUMNS, REQUIREMENT FOR STEEL LIGHTING COLUMNS"

2

DESIGN OF POLE ARE COMPREHENSIVELY ANALYSED USING STAAD. PRO V8i STRUCTURAL DESIGN SOFTWARE TO WITHSTAND **35 M/S** WIND-SPEED, TERRAIN ROUGHNESS AND STATISTICAL FACTOR OF **1.0**

3

POLE DESIGN VALIDATED WITH TYPE TEST "DESIGN AND VERIFICATION", TESTING IN ACCORDANCE TO **BS EN 40-3-2 : 2013**

4

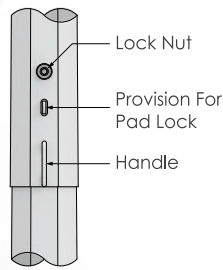
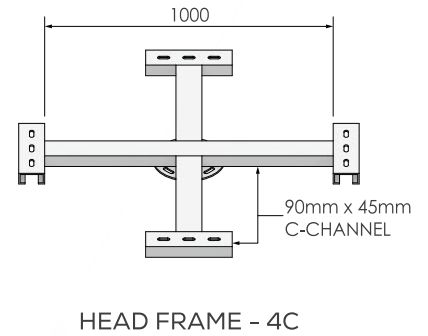
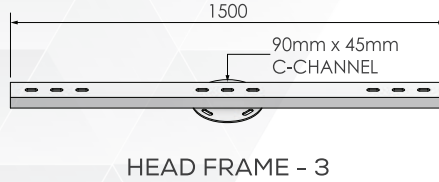
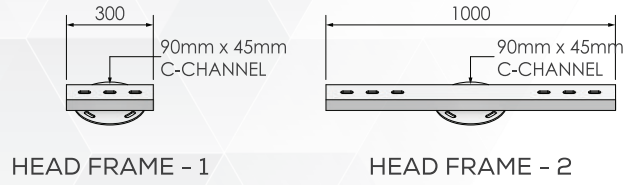
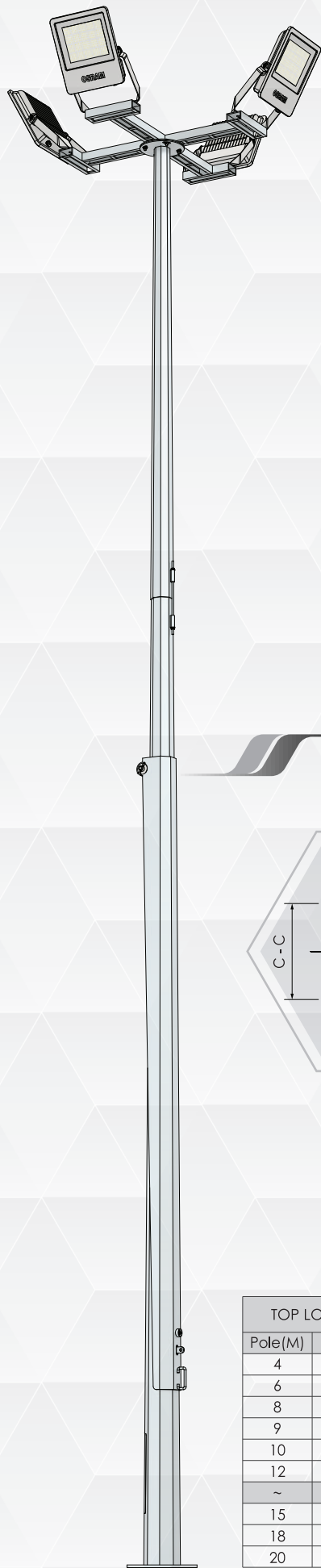
MATERIAL USED FOR LIGHTING POLE COMPLY TO **BS EN 10025 S275 JR : 2004 / JIS G3101 : 2010 / SS400** WITH MINIMUM YIELD AND TENSILE STRENGTH OF **275 MPa** AND **430 MPa** RESPECTIVELY

5

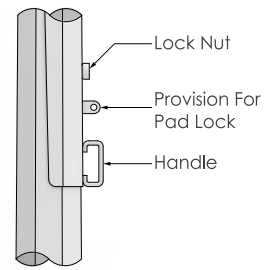
WELDING PROCESS OF LIGHTING POLE IN COMPLIANCE TO WELDING PROCESS SPECIFICATION AS PER **BS EN 1011-2 : 2001**

6

PRODUCTS ARE TREATED WITH ANTI-CORROSIVE TREATMENT KNOWN AS HOT-DIP GALVANIZED COATINGS ON FABRICATED IRON AND STEEL ARTICLES IN ACCORDANCE TO **BS EN ISO 1461 : 2009**

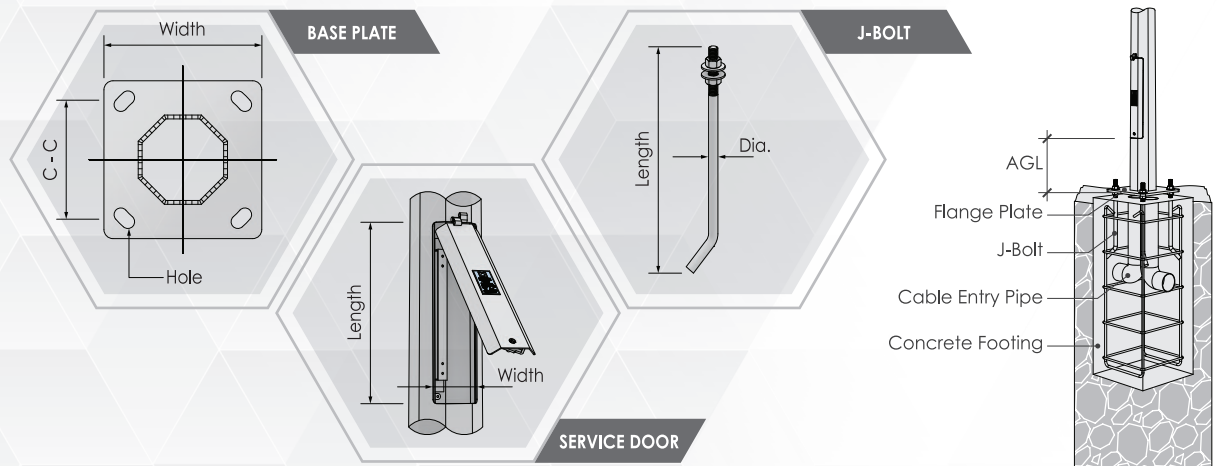


APRON - FRONT VIEW



APRON - SIDE VIEW

FLANGE MOUNTED TYPE



TOP LOADS		BASE FLANGE PLATE				SERVICE DOOR			J-BOLT		CONCRETE FOOTING		
Pole(M)	KGS	Width	C - C	Hole	THK	AGL	Width	Length	Dia.	Length	Width	Height	C - C
4	10	250	195	37 x 20	9	305	120	350	16	280	300	800	195
6	15	300	220	45 x 26	12	305	120	450	20	450	400	1000	220
8	15	300	220	45 x 26	15	305	120	450	20	450	400	1300	220
9	20	300	220	45 x 26	15	610	140	450	20	450	400	1300	220
10	20	350	260	52 x 30	16	610	140	450	24	570	450	1300	260
12	20	400	300	56 x 30	18	610	140	450	24	570	500	1500	300
~	~	~	~	~	~	~	~	~	~	~	~	~	~
15	60	550	400	73 x 39	25	610	160	450	33	840	600	1600	400
18	80	ø550	ø400	ø39	25	610	180	450	33	840	T-Shape (18M)		
20	80	ø850	ø700	ø39	38	610	200	450	33	840	T-Shape (20M)		

\*\*All data presented for pole ranging 4 ~ 12m are based on the light-duty standard, while data for pole ranging 15 ~ 20m are based on the medium-duty standard. \*All Dimension are in Millimeter (MM) unless stated.