

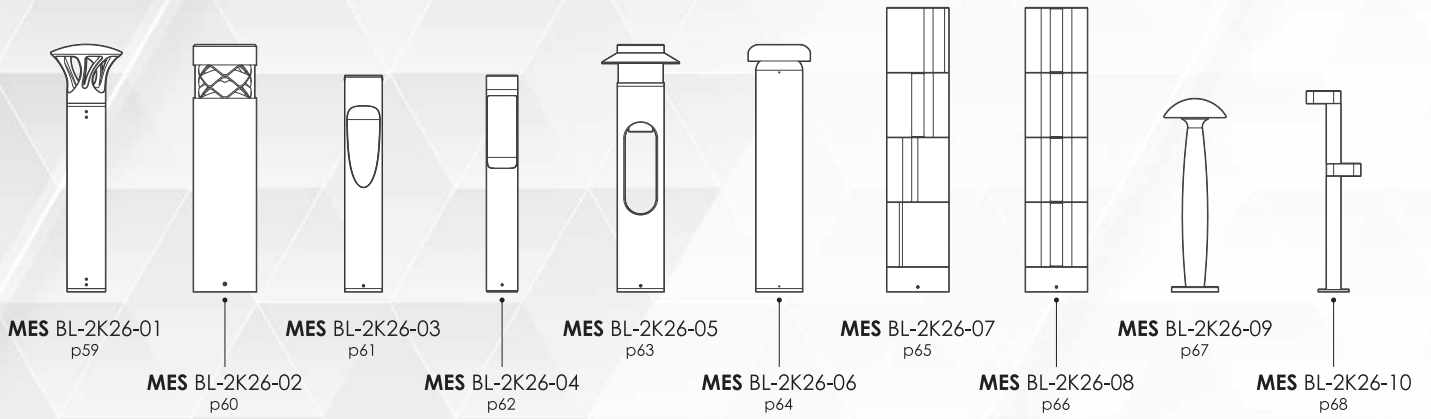
MESTRON

# BOLLARD

L I G H T I N G

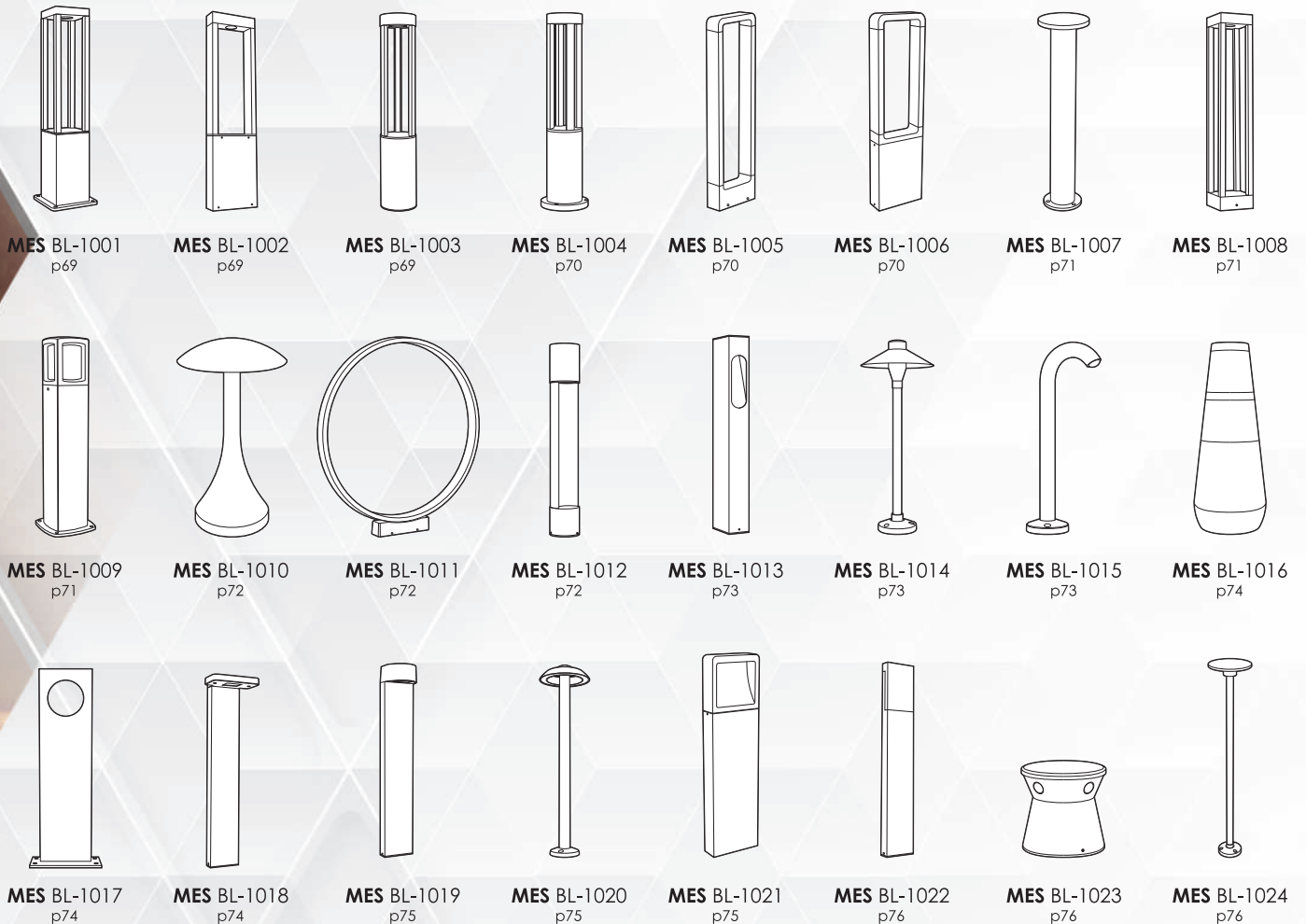
by Mestron®

## PRODUCT LIST



## NEW MODEL - Bollard Lighting Series

**new**  
model



## COLLECTION - Bollard Lighting Series

# BOLLARD

LIGHTING

*new model*

by Mestron®

MES BL-2K26-01



## TECHNICAL SPECIFICATION

Product Code	MES BL-2K26-01
Input Power	220-240V, 50/60Hz
Wattage	10W   15W
Lumen Efficacy	60lm/W
Light Source	LUMILEDS
Color Temperature	3000K/4000K/6000K
Color Rendering Index, CRI	Ra>80
Beam Angle	60°
Protection Class	IP65
Material	Die-cast Aluminum

Remark :

1. Total Lumen is according to project's requirements
2. All dimensions are in millimeter(MM) unless stated
3. All data shown is for reference only. Mestron has right to change product specifications without prior notice.



## Color Options

Standard



Sanded Black  
RAL9005

Optional Color



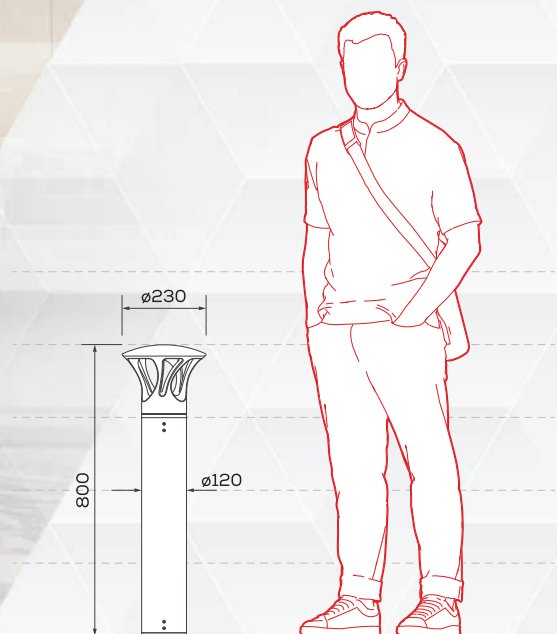
Sanded Dark Grey  
RAL7024



Sanded Light Grey  
RAL7037



Sanded White  
RAL9003



# BOLLARD

*new model*

LIGHTING

by Mestron®

MES BL-2K26-02



## TECHNICAL SPECIFICATION

Product Code	MES BL-2K26-02
Input Power	220-240V, 50/60Hz
Wattage	10W
Lumen	450lm
Light Source	SANAN
Color Temperature	3000K/4000K/6000K
Color Rendering Index, CRI	Ra>80
Beam Angle	60°
Protection Class	IP65
Material	Die-cast Aluminum

Remark :

1. Total Lumen is according to project's requirements
2. All dimensions are in millimeter(MM) unless stated
3. All data shown is for reference only. Mestron has right to change product specifications without prior notice.



## Color Options

Standard



Sanded Black  
RAL9005

Optional Color



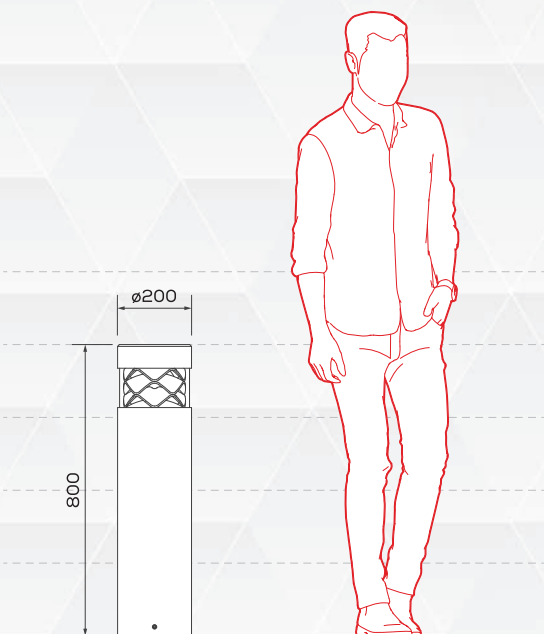
Sanded Dark Grey  
RAL7024



Sanded Light Grey  
RAL7037



Sanded White  
RAL9003



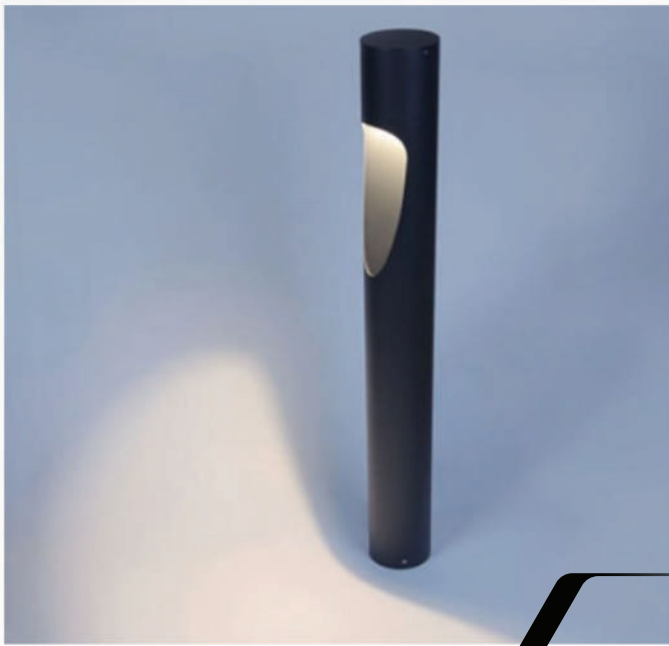
# BOLLARD

LIGHTING

*new model*

by Mestron®

MES BL-2K26-03



## TECHNICAL SPECIFICATION

Product Code	MES BL-2K26-03
Input Power	220-240V, 50/60Hz
Wattage	10W
Lumen	450lm
Light Source	CREE
Color Temperature	3000K/4000K/6000K
Color Rendering Index, CRI	Ra>80
Beam Angle	110°
Protection Class	IP65
Material	Die-cast Aluminum

Remark :

1. Total Lumen is according to project's requirements
2. All dimensions are in millimeter(MM) unless stated
3. All data shown is for reference only. Mestron has right to change product specifications without prior notice.



### Color Options

Standard



Sanded Black  
RAL9005

Optional Color



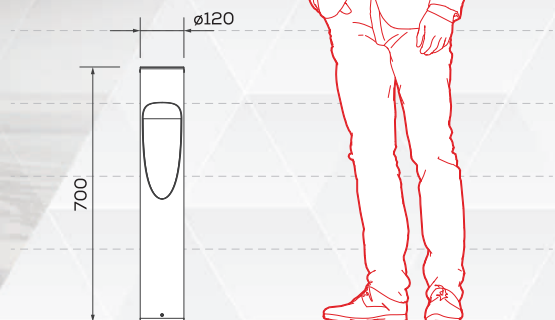
Sanded Dark Grey  
RAL7024



Sanded Light Grey  
RAL7037



Sanded White  
RAL9003



# BOLLARD

*new model*

LIGHTING

by Mestron®

MES BL-2K26-04



## TECHNICAL SPECIFICATION

Product Code	MES BL-2K26-04
Input Power	220-240V, 50/60Hz
Wattage	7W
Lumen Efficacy	500lm
Light Source	CREE
Color Temperature	3000K/4000K/6000K
Color Rendering Index, CRI	Ra>80
Beam Angle	60°
Protection Class	IP65
Material	Die-cast Aluminum

Remark :

1. Total Lumen is according to project's requirements
2. All dimensions are in millimeter(MM) unless stated
3. All data shown is for reference only. Mestron has right to change product specifications without prior notice.



## Color Options

Standard



Sanded Black  
RAL9005

Optional Color



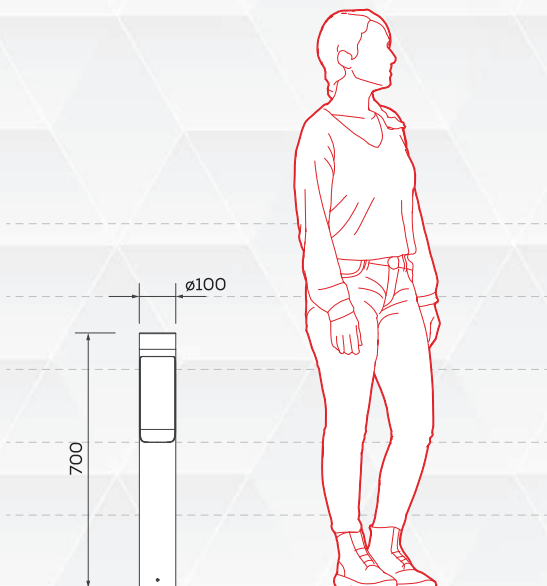
Sanded Dark Grey  
RAL7024



Sanded Light Grey  
RAL7037



Sanded White  
RAL9003



# BOLLARD

LIGHTING

*new*  
*model*

by Mestron®

MES BL-2K26-05



## TECHNICAL SPECIFICATION

Product Code	MES BL-2K26-05
Input Power	220-240V, 50/60Hz
Wattage	10W
Lumen	600lm
Light Source	LUMILEDS
Color Temperature	3000K/4000K/6000K
Color Rendering Index, CRI	Ra>80
Beam Angle	90°
Protection Class	IP65
Material	Die-cast Aluminum

Remark :

1. Total Lumen is according to project's requirements
2. All dimensions are in millimeter(MM) unless stated
3. All data shown is for reference only. Mestron has right to change product specifications without prior notice.



## Color Options

Standard



Sanded  
Black  
RAL9005

Optional Color



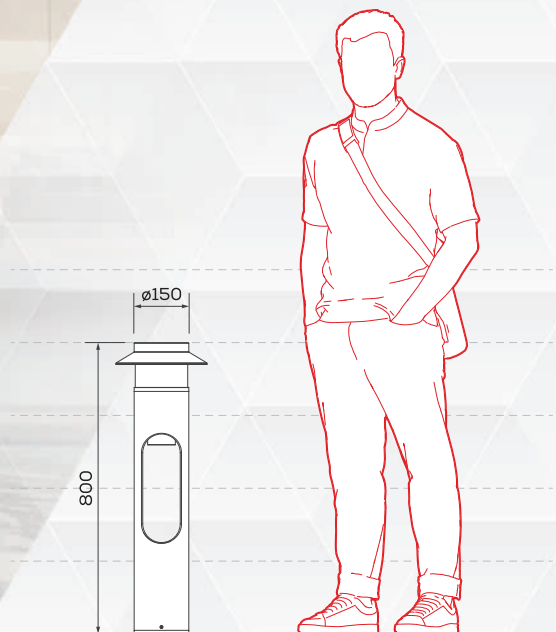
Sanded  
Dark Grey  
RAL7024



Sanded  
Light Grey  
RAL7037



Sanded  
White  
RAL9003



# BOLLARD

*new model*

LIGHTING

by Mestron®

MES BL-2K26-06



## TECHNICAL SPECIFICATION

Product Code	MES BL-2K26-06
Input Power	220-240V, 50/60Hz
Wattage	10W
Lumen	500lm
Light Source	LUMILEDS
Color Temperature	3000K/4000K/6000K
Color Rendering Index, CRI	Ra>80
Beam Angle	90°
Protection Class	IP65
Material	Die-cast Aluminum

Remark :

1. Total Lumen is according to project's requirements
2. All dimensions are in millimeter(MM) unless stated
3. All data shown is for reference only. Mestron has right to change product specifications without prior notice.



## Color Options

Standard



Sanded Black  
RAL9005

Optional Color



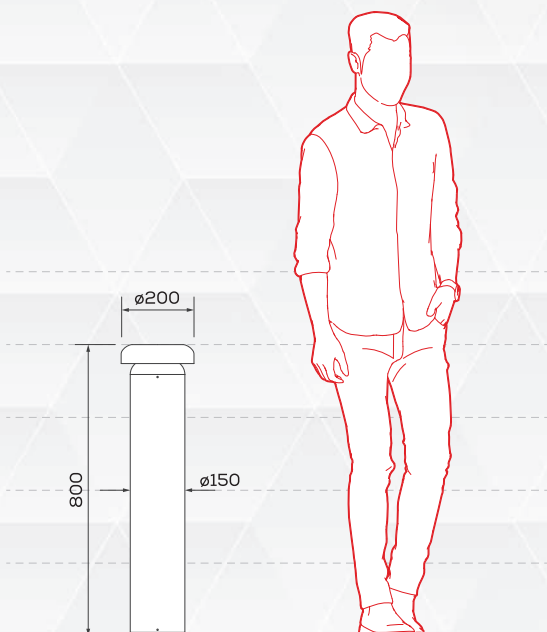
Sanded Dark Grey  
RAL7024



Sanded Light Grey  
RAL7037



Sanded White  
RAL9003



# BOLLARD

LIGHTING

**new**  
**model**

by Mestron®

MES BL-2K26-07



## TECHNICAL SPECIFICATION

Product Code	MES BL-2K26-07
Input Power	220-240V, 50/60Hz
Wattage	10W
Lumen	560lm
Light Source	LUMILEDS
Color Temperature	3000K/4000K/6000K
Color Rendering Index, CRI	Ra>80
Beam Angle	-
Protection Class	IP65
Material	Die-cast Aluminum

Remark :

1. Total Lumen is according to project's requirements
2. All dimensions are in millimeter(MM) unless stated
3. All data shown is for reference only. Mestron has right to change product specifications without prior notice.



## Color Options

Standard



Sanded  
Black  
RAL9005

Optional Color



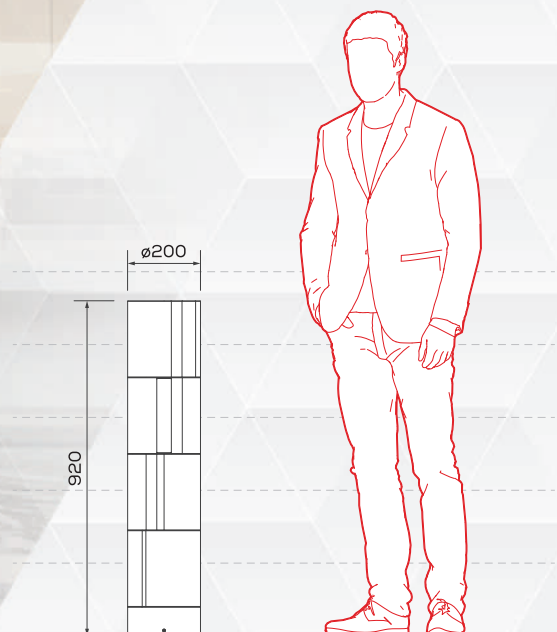
Sanded  
Dark Grey  
RAL7024



Sanded  
Light Grey  
RAL7037



Sanded  
White  
RAL9003



# BOLLARD

*new model*

LIGHTING

by Mestron®

MES BL-2K26-08



## TECHNICAL SPECIFICATION

Product Code	MES BL-2K26-08
Input Power	220-240V, 50/60Hz
Wattage	10W
Lumen	560lm
Light Source	LUMILEDS
Color Temperature	3000K/4000K/6000K
Color Rendering Index, CRI	Ra>80
Beam Angle	-
Protection Class	IP65
Material	Die-cast Aluminum

Remark :

1. Total Lumen is according to project's requirements
2. All dimensions are in millimeter(MM) unless stated
3. All data shown is for reference only. Mestron has right to change product specifications without prior notice.



## Color Options

Standard



Sanded Black  
RAL9005

Optional Color



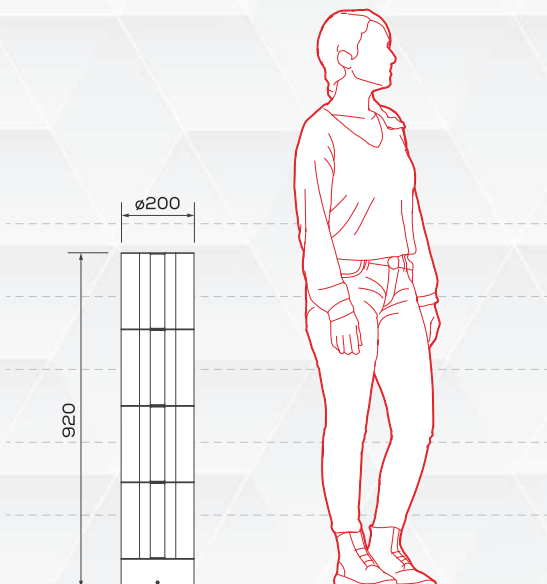
Sanded Dark Grey  
RAL7024



Sanded Light Grey  
RAL7037



Sanded White  
RAL9003



# BOLLARD

LIGHTING

**new**  
*model*

by Mestron®

MES BL-2K26-09



## TECHNICAL SPECIFICATION

Product Code	MES BL-2K26-09
Input Power	220-240V, 50/60Hz
Wattage	10W
Lumen	600lm
Light Source	LUMILEDS
Color Temperature	3000K/4000K/6000K
Color Rendering Index, CRI	Ra>80
Beam Angle	90°
Protection Class	IP65
Material	Die-cast Aluminum

Remark :

1. Total Lumen is according to project's requirements
2. All dimensions are in millimeter(MM) unless stated
3. All data shown is for reference only. Mestron has right to change product specifications without prior notice.



## Color Options

Standard



Sanded  
Black  
RAL9005

Optional Color



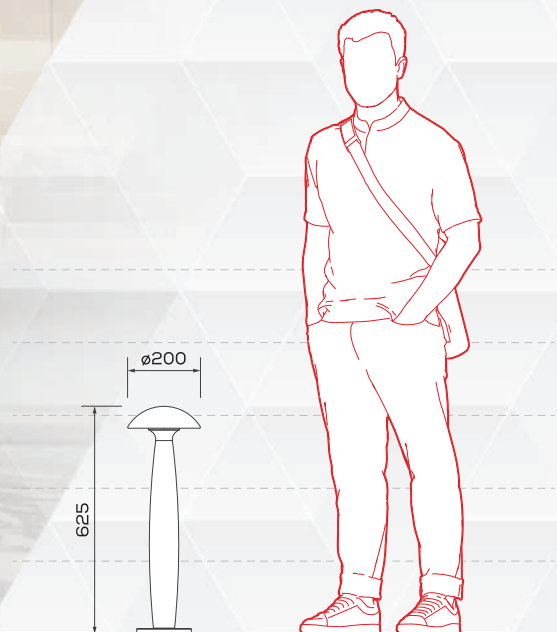
Sanded  
Dark Grey  
RAL7024



Sanded  
Light Grey  
RAL7037



Sanded  
White  
RAL9003



# BOLLARD

**new  
model**

LIGHTING

by Mestron®

MES BL-2K26-10



## TECHNICAL SPECIFICATION

Product Code	MES BL-2K26-10
Input Power	220-240V, 50/60Hz
Wattage	2 x 8W
Lumen	960lm
Light Source	BRIDGELUX
Color Temperature	3000K/4000K/6000K
Color Rendering Index, CRI	Ra>80
Beam Angle	80°
Protection Class	IP65
Material	Die-cast Aluminum

Remark :

1. Total Lumen is according to project's requirements
2. All dimensions are in millimeter(MM) unless stated
3. All data shown is for reference only. Mestron has right to change product specifications without prior notice.



## Color Options

Standard



Sanded Black  
RAL9005

Optional Color



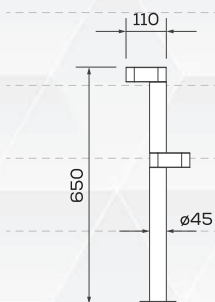
Sanded Dark Grey  
RAL7024



Sanded Light Grey  
RAL7037



Sanded White  
RAL9003

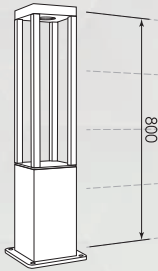


# BOLLARD

## LIGHTING

by Mestron®

### MES BL-1001

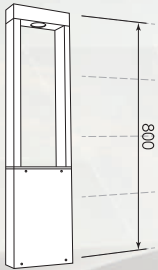


#### Technical Specifications

<b>Product Code</b>	MES BL-1001
<b>Input Power</b>	85-265V, 50/60Hz
<b>Wattage</b>	12W
<b>Lumen Efficacy</b>	90~110lm/W
<b>Power Factor</b>	≥0.9
<b>Light Source</b>	LED
<b>Color Temperature</b>	3000K/4000K/6500K
<b>Protection Class</b>	IP65
<b>Insulation Class</b>	Class II
<b>Material</b>	Aluminum
<b>Dimension (mm)</b>	800 x 210(Base)



### MES BL-1002

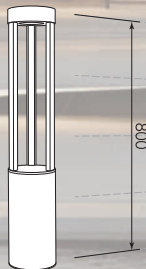


#### Technical Specifications

<b>Product Code</b>	MES BL-1002
<b>Input Power</b>	85-265V, 50/60Hz
<b>Wattage</b>	12W   24W
<b>Lumen Efficacy</b>	90~110lm/W
<b>Power Factor</b>	≥0.9
<b>Light Source</b>	LED COB
<b>Color Temperature</b>	3000K/4000K/6500K
<b>Protection Class</b>	IP65
<b>Insulation Class</b>	Class II
<b>Material</b>	Aluminum
<b>Dimension (mm)</b>	800 x 200



### MES BL-1003



#### Technical Specifications

<b>Product Code</b>	MES BL-1003
<b>Input Power</b>	85-265V, 50/60Hz
<b>Wattage</b>	12W   24W
<b>Lumen Efficacy</b>	90~110lm/W
<b>Power Factor</b>	≥0.9
<b>Light Source</b>	LED COB
<b>Color Temperature</b>	3000K/4000K/6500K
<b>Protection Class</b>	IP65
<b>Insulation Class</b>	Class II
<b>Material</b>	Aluminum
<b>Dimension (mm)</b>	800 x ø200



#### Standard Colors

<b>Black</b> RAL 7075	<b>Silver</b> RAL 9006	<b>Light Grey</b> RAL 7045	<b>Dark Grey</b> RAL 7043
--------------------------	---------------------------	-------------------------------	------------------------------

#### Product Application

Applicable for pedestrian walkway, car park, garden lighting, lawn lighting and others.

# BOLLARD LIGHTING

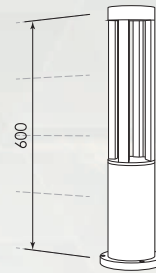
by Mestron®

## MES BL-1004



### Technical Specifications

<b>Product Code</b>	MES BL-1004
<b>Input Power</b>	85-265V, 50/60Hz
<b>Wattage</b>	7W   10W
<b>Lumen Efficacy</b>	90~110lm/W
<b>Power Factor</b>	≥0.9
<b>Light Source</b>	LED
<b>Color Temperature</b>	3000K/4000K/6500K
<b>Protection Class</b>	IP65
<b>Insulation Class</b>	Class II
<b>Material</b>	Aluminum
<b>Dimension (mm)</b>	600 x ø149 (Base)

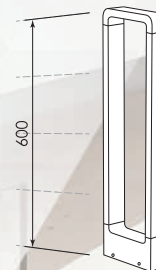


## MES BL-1005



### Technical Specifications

<b>Product Code</b>	MES BL-1005
<b>Input Power</b>	85-265V, 50/60Hz
<b>Wattage</b>	7W   10W
<b>Lumen Efficacy</b>	90~110lm/W
<b>Power Factor</b>	≥0.9
<b>Light Source</b>	LED COB
<b>Color Temperature</b>	3000K/4000K/6500K
<b>Protection Class</b>	IP65
<b>Insulation Class</b>	Class II
<b>Material</b>	Aluminum
<b>Dimension (mm)</b>	600 x 163

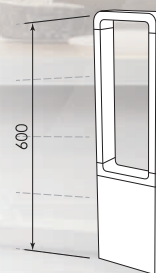


## MES BL-1006



### Technical Specifications

<b>Product Code</b>	MES BL-1006
<b>Input Power</b>	85-265V, 50/60Hz
<b>Wattage</b>	12W   24W
<b>Lumen Efficacy</b>	90~110lm/W
<b>Power Factor</b>	≥0.9
<b>Light Source</b>	LED COB
<b>Color Temperature</b>	3000K/4000K/6500K
<b>Protection Class</b>	IP65
<b>Insulation Class</b>	Class II
<b>Material</b>	Aluminum
<b>Dimension (mm)</b>	600 x 163



### Product Application

Applicable for pedestrian walkway, car park, garden lighting, lawn lighting and others.

### Standard Colors

<b>Black</b> RAL 7075	<b>Silver</b> RAL 9006	<b>Light Grey</b> RAL 7045	<b>Dark Grey</b> RAL 7043
--------------------------	---------------------------	-------------------------------	------------------------------

# BOLLARD

## LIGHTING

by Mestron®

### MES BL-1007

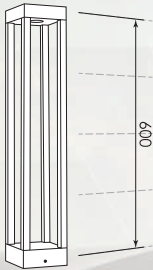


#### Technical Specifications

<b>Product Code</b>	MES BL-1007
<b>Input Power</b>	85-265V, 50/60Hz
<b>Wattage</b>	12W
<b>Lumen Efficacy</b>	90~110lm/W
<b>Power Factor</b>	≥0.9
<b>Light Source</b>	SMD 2835
<b>Color Temperature</b>	3000K/4000K/6500K
<b>Protection Class</b>	IP65
<b>Insulation Class</b>	Class II
<b>Material</b>	Aluminum
<b>Dimension (mm)</b>	600 x ø120(Base)

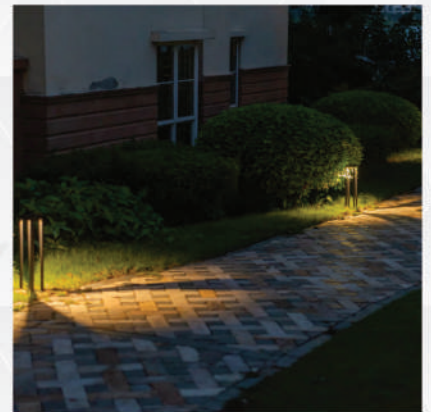


### MES BL-1008

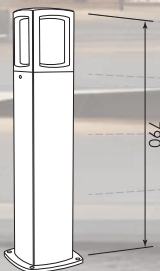


#### Technical Specifications

<b>Product Code</b>	MES BL-1008
<b>Input Power</b>	85-265V, 50/60Hz
<b>Wattage</b>	7W
<b>Lumen Efficacy</b>	90~110lm/W
<b>Power Factor</b>	≥0.9
<b>Light Source</b>	LED COB
<b>Color Temperature</b>	3000K/4000K/6500K
<b>Protection Class</b>	IP65
<b>Insulation Class</b>	Class II
<b>Material</b>	Aluminum
<b>Dimension (mm)</b>	600 x 111



### MES BL-1009



#### Technical Specifications

<b>Product Code</b>	MES BL-1009
<b>Input Power</b>	100-265V, 50/60Hz
<b>Wattage</b>	7W ~ 15W
<b>Lumen Efficacy</b>	90~110lm/W
<b>Power Factor</b>	≥0.9
<b>Light Source</b>	PLCE / E27 LED Bulb
<b>Color Temperature</b>	3000K/4000K/6500K
<b>Protection Class</b>	IP65
<b>Insulation Class</b>	Class II
<b>Material</b>	Aluminum
<b>Dimension (mm)</b>	790 x 225(Base)



#### Standard Colors

**Black**  
RAL 7075

**Silver**  
RAL 9006

**Light Grey**  
RAL 7045

**Dark Grey**  
RAL 7043

#### Product Application

Applicable for pedestrian walkway, car park, garden lighting, lawn lighting and others.

# BOLLARD LIGHTING

by Mestron®

## MES BL-1010



### Technical Specifications

<b>Product Code</b>	MES BL-1010
<b>Input Power</b>	85-265V, 50/60Hz
<b>Wattage</b>	7W
<b>Lumen Efficacy</b>	90~110lm/W
<b>Power Factor</b>	≥0.9
<b>Light Source</b>	LED COB
<b>Color Temperature</b>	3000K/4000K/6500K
<b>Protection Class</b>	IP65
<b>Insulation Class</b>	Class II
<b>Material</b>	Aluminum
<b>Dimension (mm)</b>	500 x ø300



## MES BL-1011



### Technical Specifications

<b>Product Code</b>	MES BL-1011
<b>Input Power</b>	100-265V, 50/60Hz
<b>Wattage</b>	7W
<b>Lumen Efficacy</b>	90~110lm/W
<b>Power Factor</b>	≥0.9
<b>Light Source</b>	LED COB
<b>Color Temperature</b>	3000K/4000K/6500K
<b>Protection Class</b>	IP65
<b>Insulation Class</b>	Class II
<b>Material</b>	Aluminum
<b>Dimension (mm)</b>	600 x 200(Base)



## MES BL-1012



### Technical Specifications

<b>Product Code</b>	MES BL-1012
<b>Input Power</b>	100-265V, 50/60Hz
<b>Wattage</b>	7W
<b>Lumen Efficacy</b>	90~110lm/W
<b>Power Factor</b>	≥0.9
<b>Light Source</b>	LED COB
<b>Color Temperature</b>	3000K/4000K/6500K
<b>Protection Class</b>	IP65
<b>Insulation Class</b>	Class II
<b>Material</b>	Aluminum
<b>Dimension (mm)</b>	600 x ø90



### Product Application

Applicable for pedestrian walkway, car park, garden lighting, lawn lighting and others.

### Standard Colors

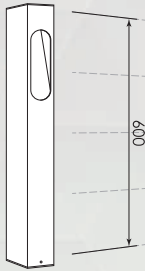


# BOLLARD

## LIGHTING

by Mestron®

### MES BL-1013

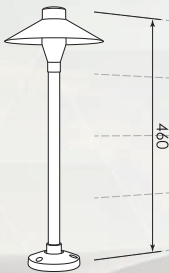


#### Technical Specifications

<b>Product Code</b>	MES BL-1013
<b>Input Power</b>	100-265V, 50/60Hz
<b>Wattage</b>	7W
<b>Lumen Efficacy</b>	90~110lm/W
<b>Power Factor</b>	≥0.9
<b>Light Source</b>	LED COB
<b>Color Temperature</b>	3000K/4000K/6500K
<b>Protection Class</b>	IP65
<b>Insulation Class</b>	Class II
<b>Material</b>	Aluminum
<b>Dimension (mm)</b>	600 x 116



### MES BL-1014

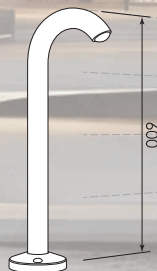


#### Technical Specifications

<b>Product Code</b>	MES BL-1014
<b>Input Power</b>	85-265V, 50/60Hz
<b>Wattage</b>	7W
<b>Lumen Efficacy</b>	90~110lm/W
<b>Power Factor</b>	≥0.9
<b>Light Source</b>	LED COB
<b>Color Temperature</b>	3000K/4000K/6500K
<b>Protection Class</b>	IP65
<b>Insulation Class</b>	Class II
<b>Material</b>	Aluminum
<b>Dimension (mm)</b>	460 x ø170



### MES BL-1015



#### Technical Specifications

<b>Product Code</b>	MES BL-1015
<b>Input Power</b>	100-265V, 50/60Hz
<b>Wattage</b>	7W
<b>Lumen Efficacy</b>	90~110lm/W
<b>Power Factor</b>	≥0.9
<b>Light Source</b>	LED COB
<b>Color Temperature</b>	3000K/4000K/6500K
<b>Protection Class</b>	IP65
<b>Insulation Class</b>	Class II
<b>Material</b>	Aluminum
<b>Dimension (mm)</b>	600 x ø90(Base)



#### Standard Colors

<b>Black</b> RAL 7075	<b>Silver</b> RAL 9006	<b>Light Grey</b> RAL 7045	<b>Dark Grey</b> RAL 7043
--------------------------	---------------------------	-------------------------------	------------------------------

#### Product Application

Applicable for pedestrian walkway, car park, garden lighting, lawn lighting and others.

# BOLLARD LIGHTING

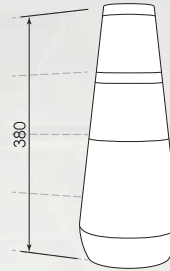
by Mestron®

## MES BL-1016

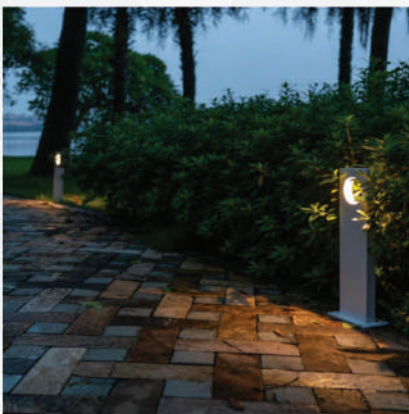


### Technical Specifications

<b>Product Code</b>	MES BL-1016
<b>Input Power</b>	85-265V, 50/60Hz
<b>Wattage</b>	7W
<b>Lumen Efficacy</b>	90~110lm/W
<b>Power Factor</b>	≥0.9
<b>Light Source</b>	LED COB
<b>Color Temperature</b>	3000K/4000K/6500K
<b>Protection Class</b>	IP65
<b>Insulation Class</b>	Class II
<b>Material</b>	Aluminum
<b>Dimension (mm)</b>	380 x ø125(Base)

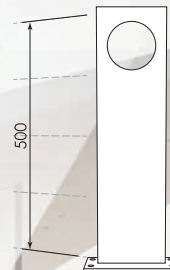


## MES BL-1017



### Technical Specifications

<b>Product Code</b>	MES BL-1017
<b>Input Power</b>	85-265V, 50/60Hz
<b>Wattage</b>	7W
<b>Lumen Efficacy</b>	90~110lm/W
<b>Power Factor</b>	≥0.9
<b>Light Source</b>	LED COB
<b>Color Temperature</b>	3000K/4000K/6500K
<b>Protection Class</b>	IP65
<b>Insulation Class</b>	Class II
<b>Material</b>	Aluminum
<b>Dimension (mm)</b>	500 x 180(Base)

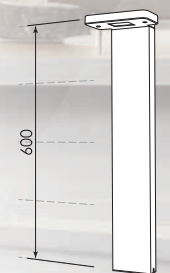


## MES BL-1018



### Technical Specifications

<b>Product Code</b>	MES BL-1018
<b>Input Power</b>	85-265V, 50/60Hz
<b>Wattage</b>	7W
<b>Lumen Efficacy</b>	90~110lm/W
<b>Power Factor</b>	≥0.9
<b>Light Source</b>	LED COB
<b>Color Temperature</b>	3000K/4000K/6500K
<b>Protection Class</b>	IP65
<b>Insulation Class</b>	Class II
<b>Material</b>	Aluminum
<b>Dimension (mm)</b>	600 x 100(Base)



### Product Application

Applicable for pedestrian walkway, car park, garden lighting, lawn lighting and others.

### Standard Colors

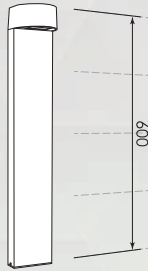
<b>Black</b> RAL 7075	<b>Silver</b> RAL 9006	<b>Light Grey</b> RAL 7045	<b>Dark Grey</b> RAL 7043
--------------------------	---------------------------	-------------------------------	------------------------------

# BOLLARD

## LIGHTING

by Mestron®

### MES BL-1019

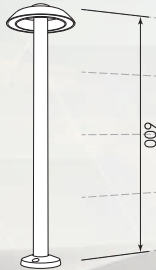


#### Technical Specifications

<b>Product Code</b>	MES BL-1019
<b>Input Power</b>	85-265V, 50/60Hz
<b>Wattage</b>	7W
<b>Lumen Efficacy</b>	90~110lm/W
<b>Power Factor</b>	≥0.9
<b>Light Source</b>	LED COB
<b>Color Temperature</b>	3000K/4000K/6500K
<b>Protection Class</b>	IP65
<b>Insulation Class</b>	Class II
<b>Material</b>	Aluminum
<b>Dimension (mm)</b>	600 x 100



### MES BL-1020

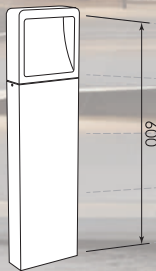


#### Technical Specifications

<b>Product Code</b>	MES BL-1020
<b>Input Power</b>	85-265V, 50/60Hz
<b>Wattage</b>	7W
<b>Lumen Efficacy</b>	90~110lm/W
<b>Power Factor</b>	≥0.9
<b>Light Source</b>	LED COB
<b>Color Temperature</b>	3000K/4000K/6500K
<b>Protection Class</b>	IP65
<b>Insulation Class</b>	Class II
<b>Material</b>	Aluminum
<b>Dimension (mm)</b>	600 x ø164



### MES BL-1021



#### Technical Specifications

<b>Product Code</b>	MES BL-1021
<b>Input Power</b>	85-265V, 50/60Hz
<b>Wattage</b>	7W
<b>Lumen Efficacy</b>	90~110lm/W
<b>Power Factor</b>	≥0.9
<b>Light Source</b>	SMD 2835
<b>Color Temperature</b>	3000K/4000K/6500K
<b>Protection Class</b>	IP65
<b>Insulation Class</b>	Class II
<b>Material</b>	Aluminum
<b>Dimension (mm)</b>	600 x 160



#### Standard Colors

<b>Black</b> RAL 7075	<b>Silver</b> RAL 9006	<b>Light Grey</b> RAL 7045	<b>Dark Grey</b> RAL 7043
--------------------------	---------------------------	-------------------------------	------------------------------

#### Product Application

Applicable for pedestrian walkway, car park, garden lighting, lawn lighting and others.

# BOLLARD LIGHTING

by Mestron®

## MES BL-1022

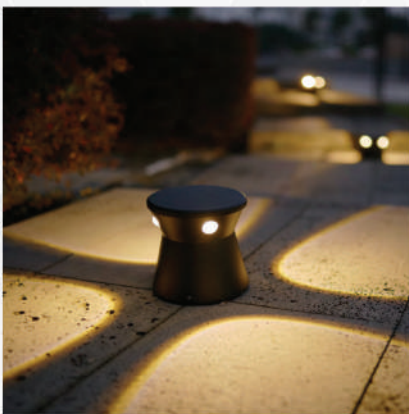


### Technical Specifications

<b>Product Code</b>	MES BL-1022
<b>Input Power</b>	85-265V, 50/60Hz
<b>Wattage</b>	5W
<b>Lumen Efficacy</b>	90~110lm/W
<b>Power Factor</b>	≥0.9
<b>Light Source</b>	SMD 2835
<b>Color Temperature</b>	3000K/4000K/6500K
<b>Protection Class</b>	IP65
<b>Insulation Class</b>	Class II
<b>Material</b>	Aluminum
<b>Dimension (mm)</b>	600 x 100



## MES BL-1023



### Technical Specifications

<b>Product Code</b>	MES BL-1023
<b>Input Power</b>	100-265V, 50/60Hz
<b>Wattage</b>	4 x 1W
<b>Lumen Efficacy</b>	90~110lm/W
<b>Power Factor</b>	≥0.9
<b>Light Source</b>	LED COB
<b>Color Temperature</b>	3000K/4000K/6500K
<b>Protection Class</b>	IP65
<b>Insulation Class</b>	Class II
<b>Material</b>	Aluminum
<b>Dimension (mm)</b>	146 x ø149



## MES BL-1024



### Technical Specifications

<b>Product Code</b>	MES BL-1024
<b>Input Power</b>	100-265V, 50/60Hz
<b>Wattage</b>	4W
<b>Lumen Efficacy</b>	90~110lm/W
<b>Power Factor</b>	≥0.9
<b>Light Source</b>	LED COB
<b>Color Temperature</b>	3000K/4000K/6500K
<b>Protection Class</b>	IP65
<b>Insulation Class</b>	Class II
<b>Material</b>	Aluminum
<b>Dimension (mm)</b>	760 x ø150



### Product Application

Applicable for pedestrian walkway, car park, garden lighting, lawn lighting and others.

### Standard Colors

<b>Black</b> RAL 7075	<b>Silver</b> RAL 9006	<b>Light Grey</b> RAL 7045	<b>Dark Grey</b> RAL 7043
--------------------------	---------------------------	-------------------------------	------------------------------