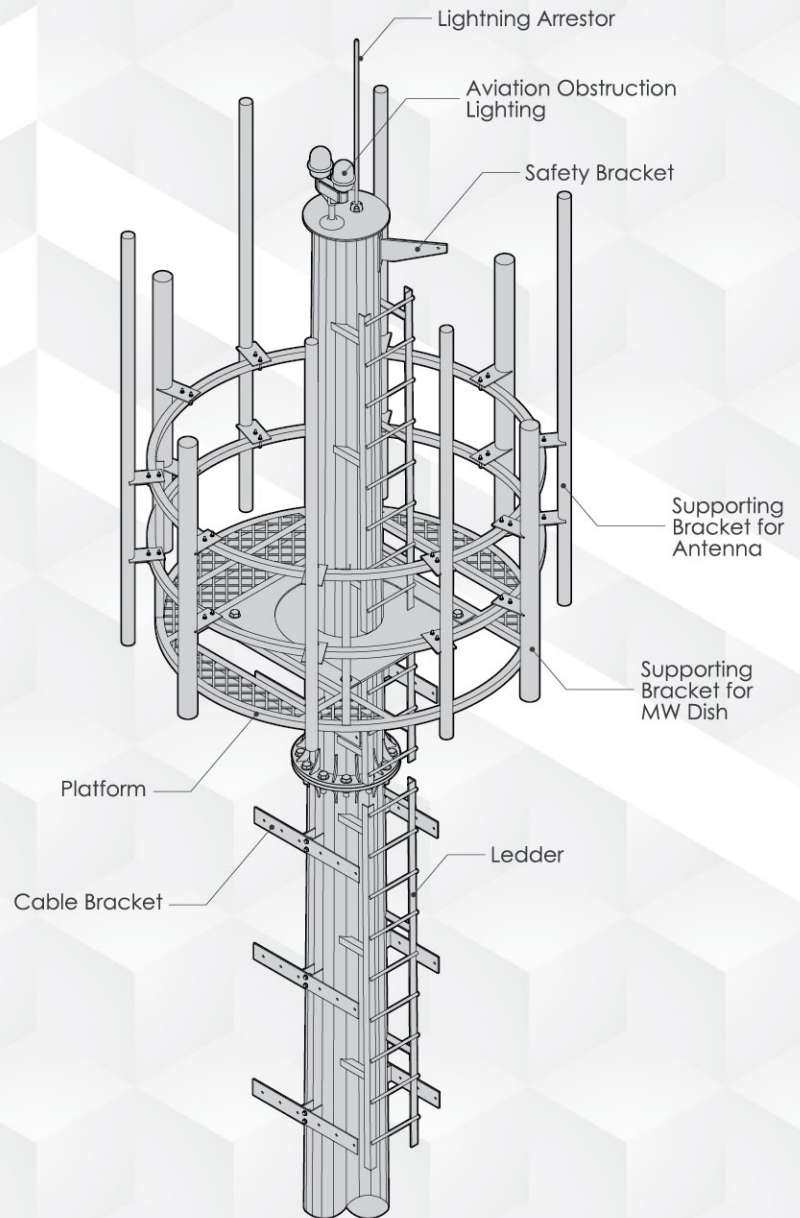
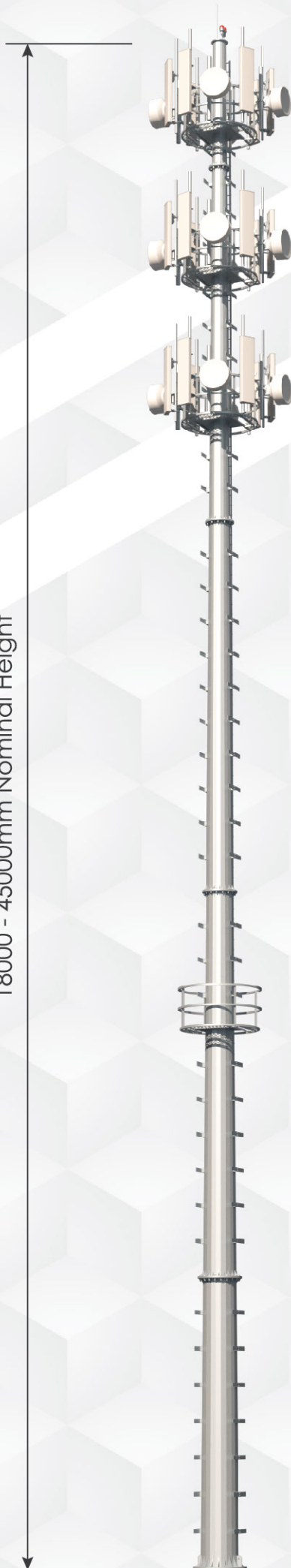
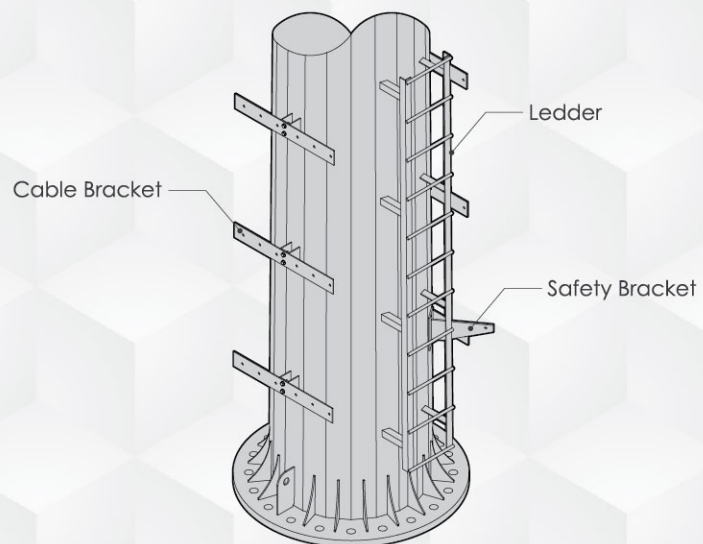


TELECOMMUNICATION MONOPOLE  
- Flange Joint

18000 - 45000mm Nominal Height



Platform - 3D Isometric View



Base - 3D Isometric View